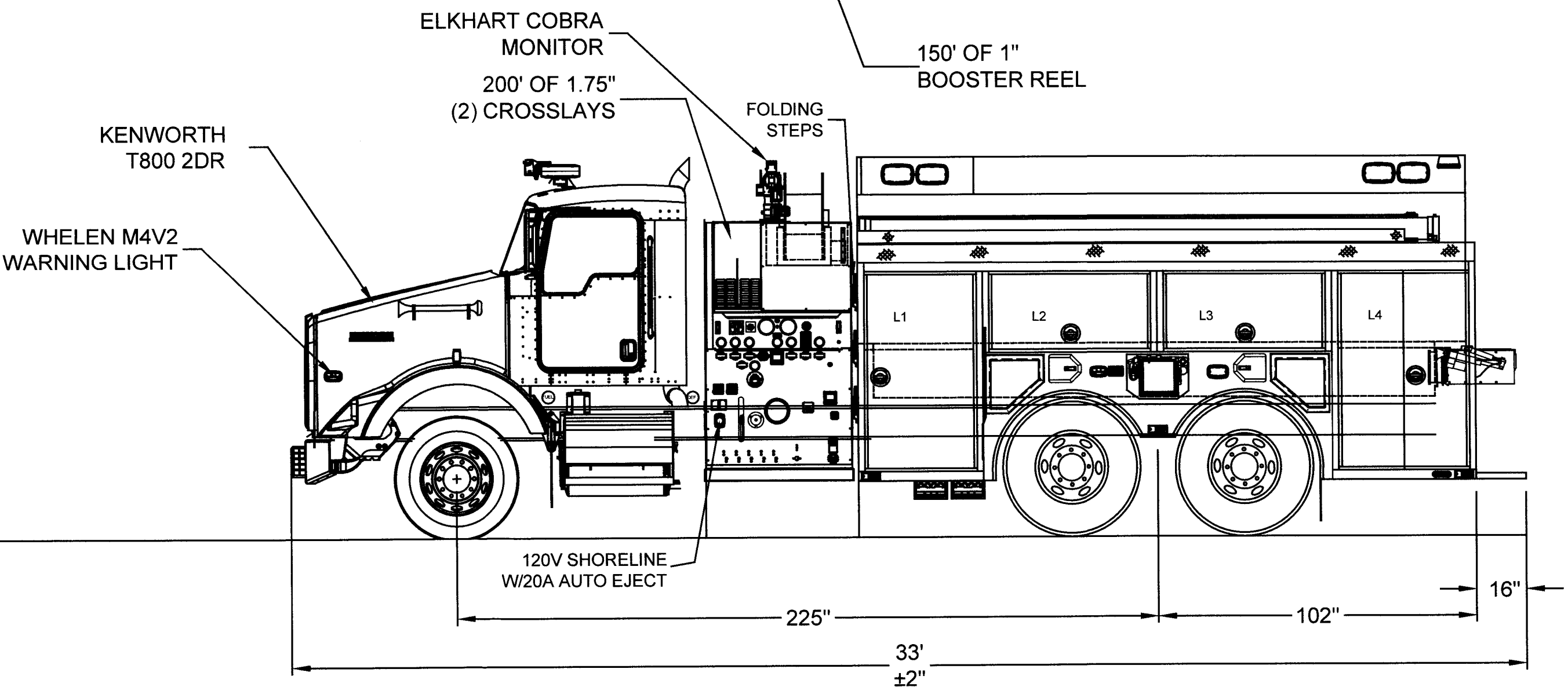
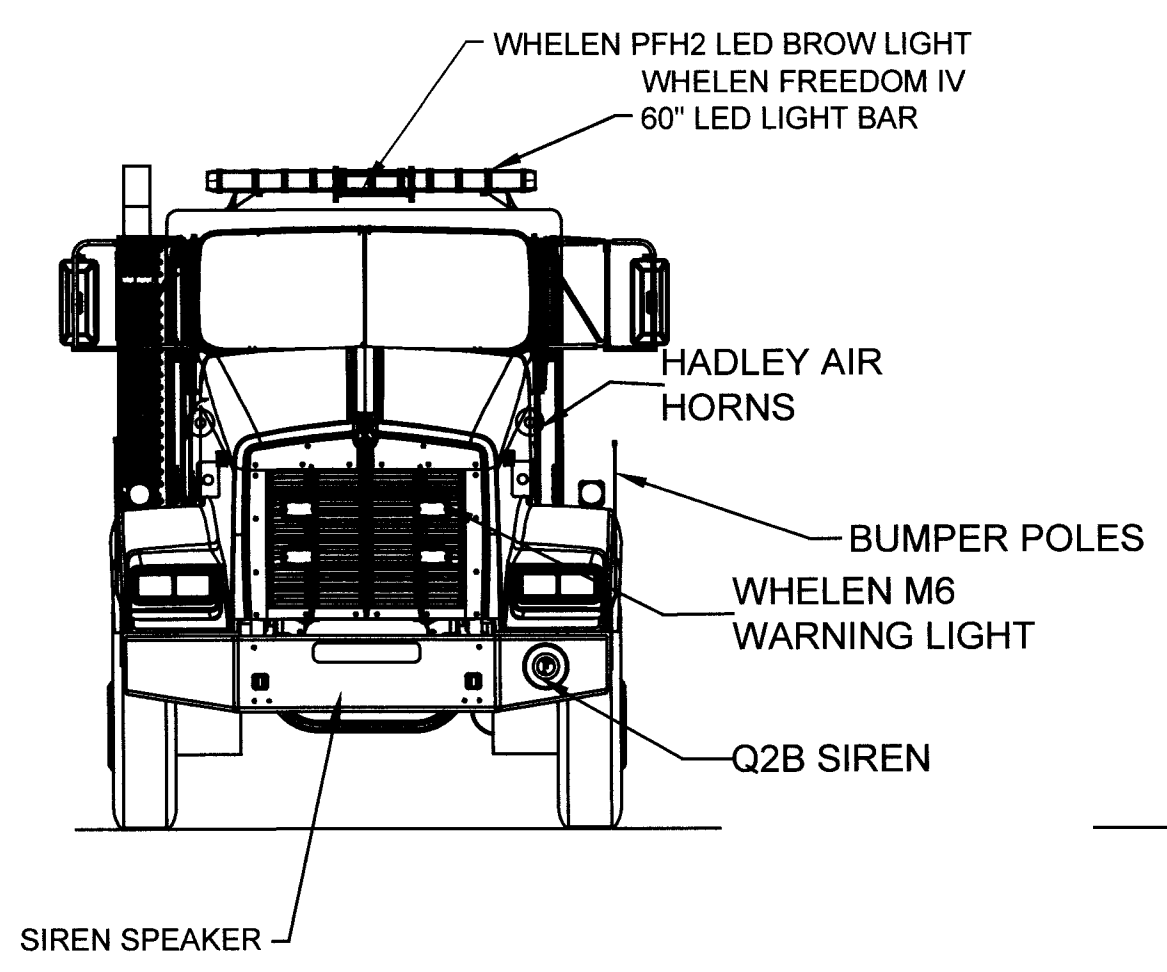
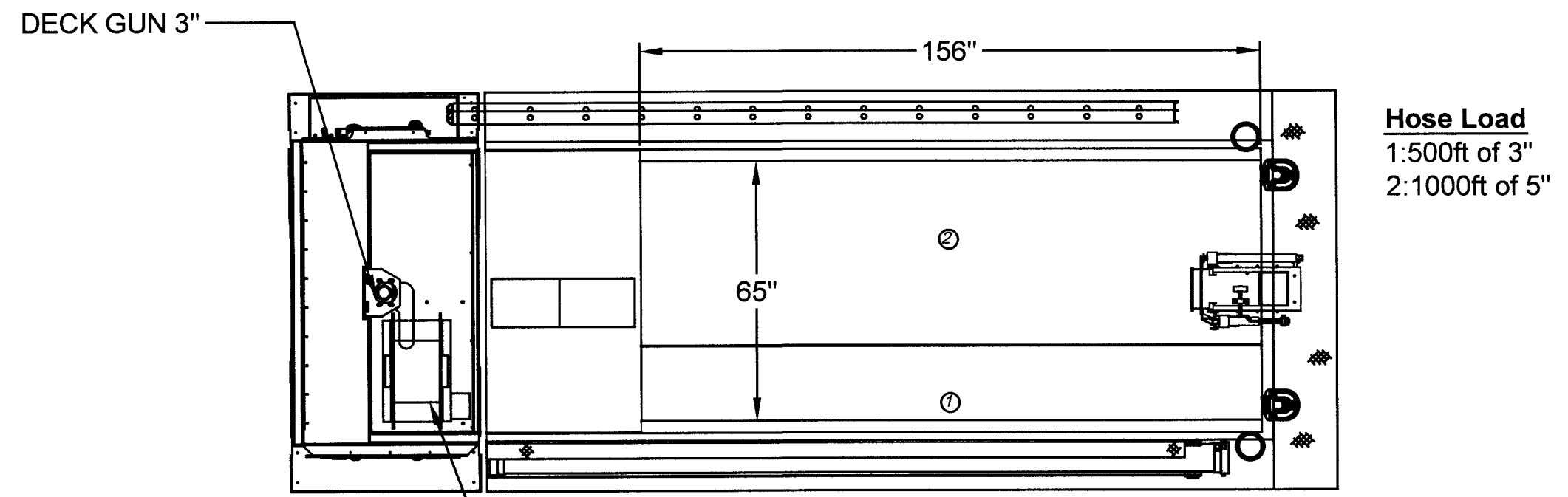


Left Side Compartmentation				
Compt	Doors	Opening Dimensions	Inside Dimensions	Volume
WxHxD				
L1	Hinge	33x60	40x66x24.25/10.25	21 CU FT
L2	Hinge	49x22	56x28x10.25	9.3 CU FT
L3	Hinge	49x22	56x28x10.25	9.3 CU FT
L4	Hinge	33x60	46x66x24.25/10.25	28 CU FT
Right Side Compartmentation				
Compt	Doors	Opening Dimensions	Inside Dimensions	Volume
R1	Hinge	33x60	40x66x24.25/10.25	21 CU FT
R2	Hinge	49x22	56x28x10.25	9.3 CU FT
R3	Hinge	49x22	56x28x10.25	9.3 CU FT
R4	Hinge	39x60	46x66x24.25/10.25	28 CU FT
HALE Q-MAX 1500 GPM SS 3000 GAL WATER TANK				Total Volume 135.1 CU FT

**LADDER RACK**  
35' 3 SEC  
16' ROOF

**FENDER STORAGE**  
LFF: AIR PACK, SINGLE SCBA  
LRF: AIR PACK, SINGLE SCBA  
RFF: AIR PACK, SINGLE SCBA  
RRF: AIR PACK, SINGLE SCBA



DIMENSIONS SHOWN ON THIS DRAWING ARE APPROXIMATE AND ARE SUBJECT TO MINOR DEVIATIONS DURING CONSTRUCTION.

IN THE EVENT OF A DISCREPANCY BETWEEN THE SUTPHEN SPECIFICATIONS AND DRAWING, THE SUTPHEN SPECIFICATIONS SHALL PREVAIL.

DRAWING IS FOR REFERENCE ONLY. SOME ITEMS

**CUSTOMER APPROVAL**

NAME: \_\_\_\_\_

TITLE: \_\_\_\_\_

DATE: \_\_\_\_\_

REV	DESCRIPTION	BY	DATE

DRAWN BY:  
RAGHU

DATE:  
7-19-22

MFG. FACILITY:  
SUTPHEN EAST

**SUTPHEN**  
LEDYARD FIRE COMPANY DISTRICT #1  
LEDYARD, CT

COMMERCIAL WET SIDE TANKER - SWT-04B