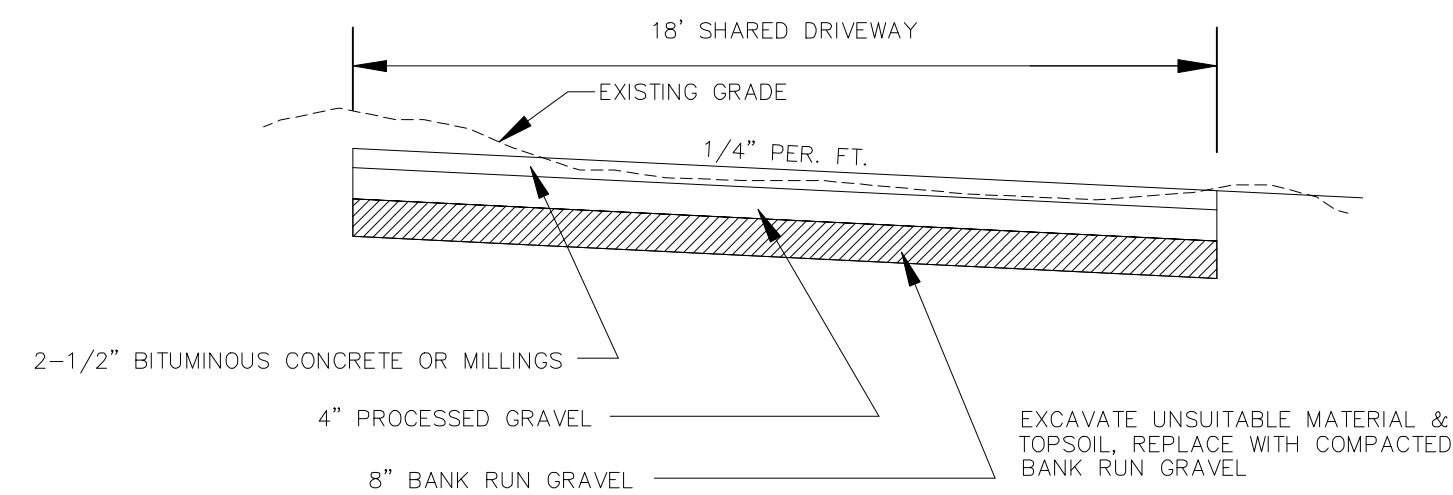


- ALL MATERIAL THICKNESS ARE FOR COMPACTED DEPTH
- IF BINDER COURSE IS LEFT AS A TOP COURSE FOR AN EXTENDED PERIOD, THE DIR OF PUBLIC WORKS MAY REQUIRE THAT A TACK COAT OF BITUMINOUS MATERIAL MAY BE APPLIED BEFORE LAYING THE BITUMINOUS CONCRETE SURFACE COURSE.
- SUBBASE DEPTH SHALL BE INCREASED TO 18" WHERE LEDGE ROCK IS ENCOUNTERED.
- FOR CONSTRUCTION MATERIAL STANDARDS, REFER TO STATE OF CONNECTICUT, STANDARD SPECIFICATIONS FOR ROADS, BRIDGES AND INCIDENTAL CONSTRUCTION, FORM B13, AS AMENDED.

TYPICAL CROSS SECTION LOCAL STREET (N.T.S.)



TYPICAL SHARED DRIVEWAY CROSS-SECTION (N.T.S.)

APPROVED BY THE LEDYARD PLANNING AND ZONING COMMISSION AS TO THE COMPLIANCE WITH THE REGULATIONS GOVERNING THE SUBDIVISION OF LAND. ALL IMPROVEMENTS SHALL BE COMPLETED BY _____ DATE

CHAIRMAN OR SECRETARY _____ DATE

LOT NUMBERS ASSIGNED BY THE ASSESSOR _____

ASSESSOR _____ DATE

IWWC APPLICATION# _____

APPROVED, _____

NO PERMIT NECESSARY. (NOT WITHIN A REGULATED AREA)

NOT APPLICABLE AT THIS TIME. (WITHIN A REGULATED AREA; NO REGULATED ACTIVITY PROPOSED AT THIS TIME.)

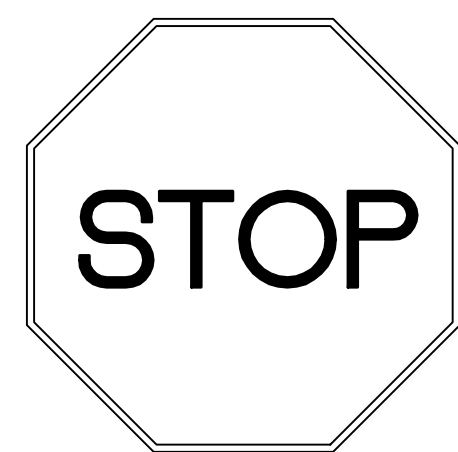
ZONING/WETLANDS OFFICER _____ DATE

APPROVED BY THE DIRECTOR OF PUBLIC WORKS OR THE TOWN ENGINEER FOR PUBLIC WAY LAYOUT. _____ DATE

PUBLIC WORKS DIRECTOR/TOWN ENGINEER _____ DATE

EROSION AND SEDIMENT CONTROL PLAN CERTIFIED BY NOTE OF THE LEDYARD PLANNING AND ZONING COMMISSION _____

CHAIRMAN OR SECRETARY OF THE LEDYARD PLANNING AND ZONING COMMISSION _____ DATE

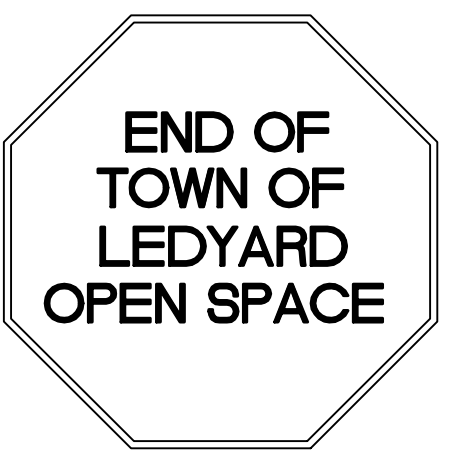


SECURE TO 1 1/2" GALVANIZED STEEL POST WITH (2) 1/4" GALVANIZED BOLTS (1 TOP, 1 BOTTOM)

NOTE: SIGN TO BE INSTALLED IN ACCORDANCE WITH STATE OF CONNECTICUT D.O.T. STANDARDS

STOP SIGN

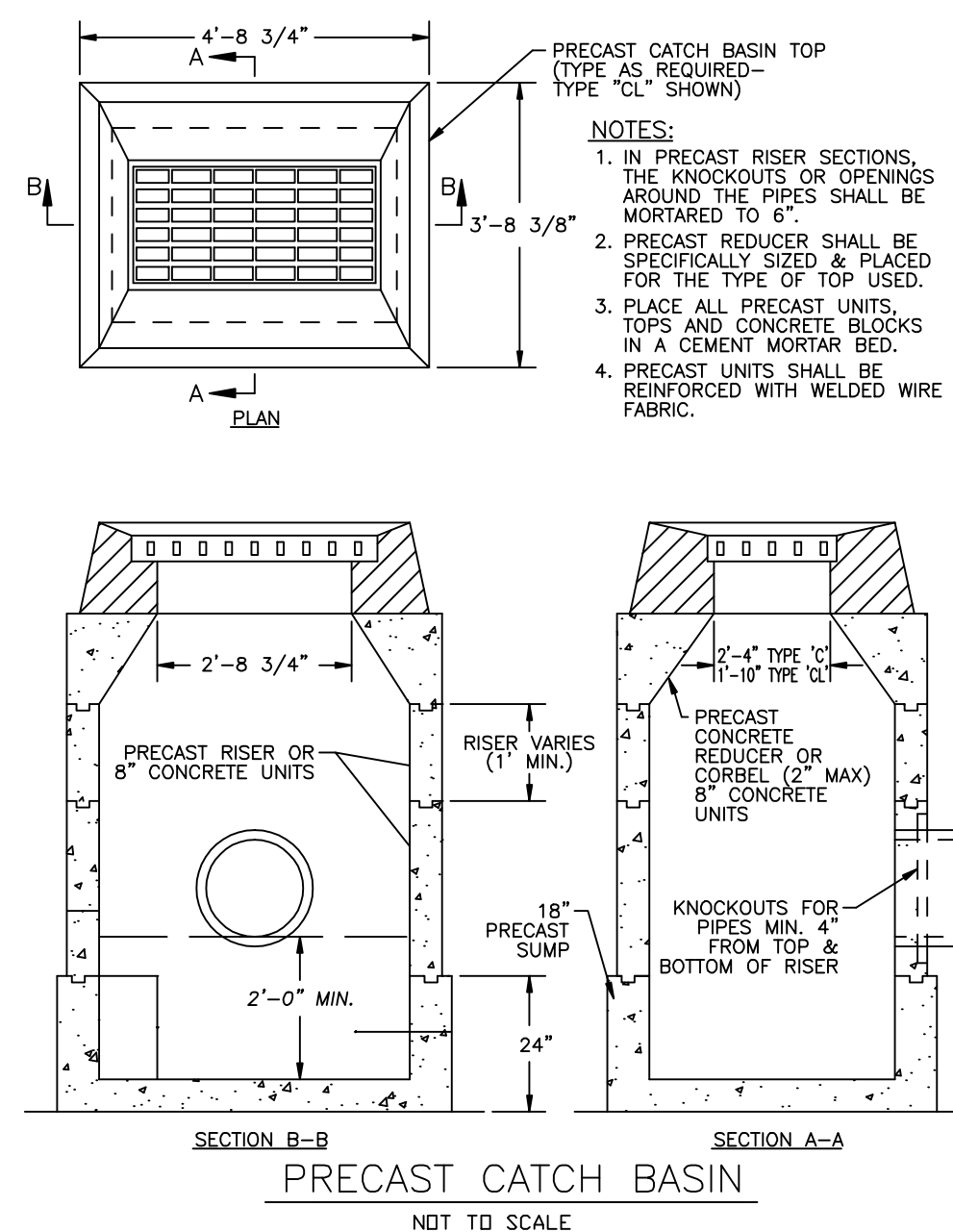
NOT TO SCALE



SECURE TO 1 1/2" GALVANIZED STEEL POST WITH (2) 1/4" GALVANIZED BOLTS (1 TOP, 1 BOTTOM)

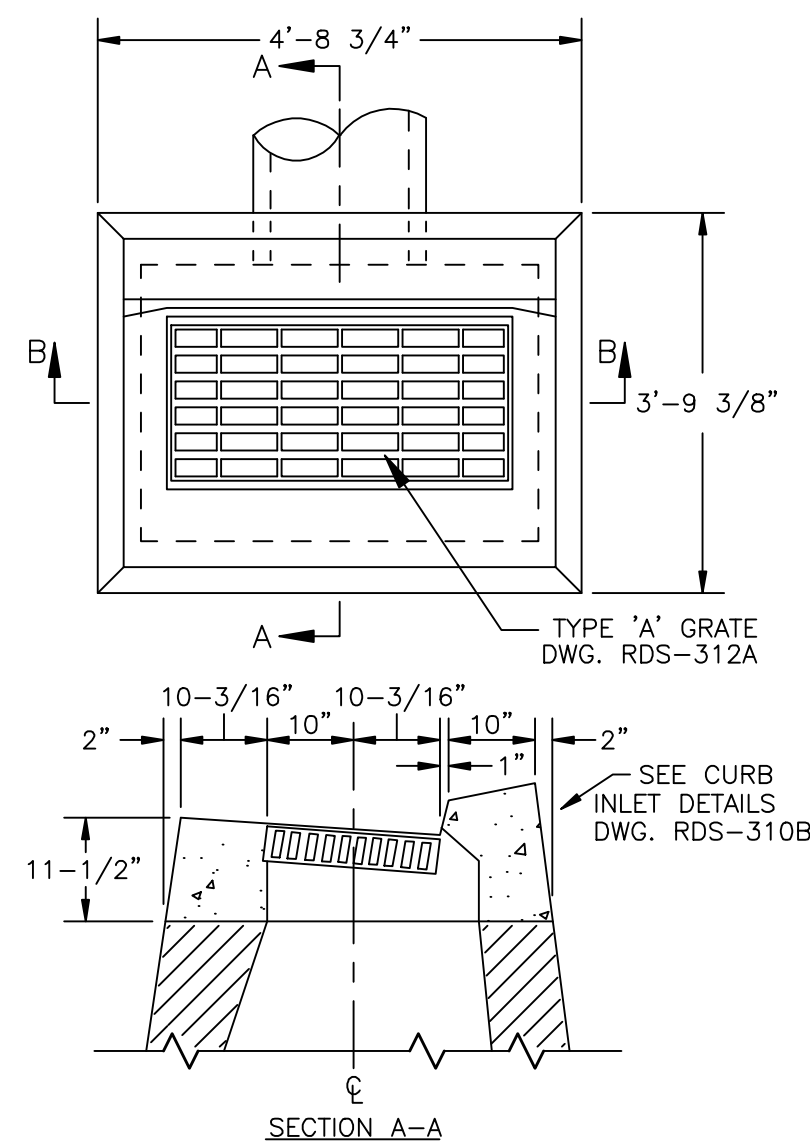
LEDYARD END OPEN SPACE SIGN

NOT TO SCALE



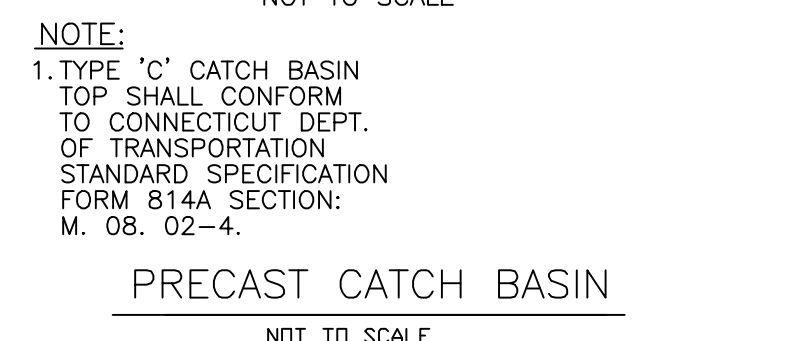
PRECAST CATCH BASIN

NOT TO SCALE



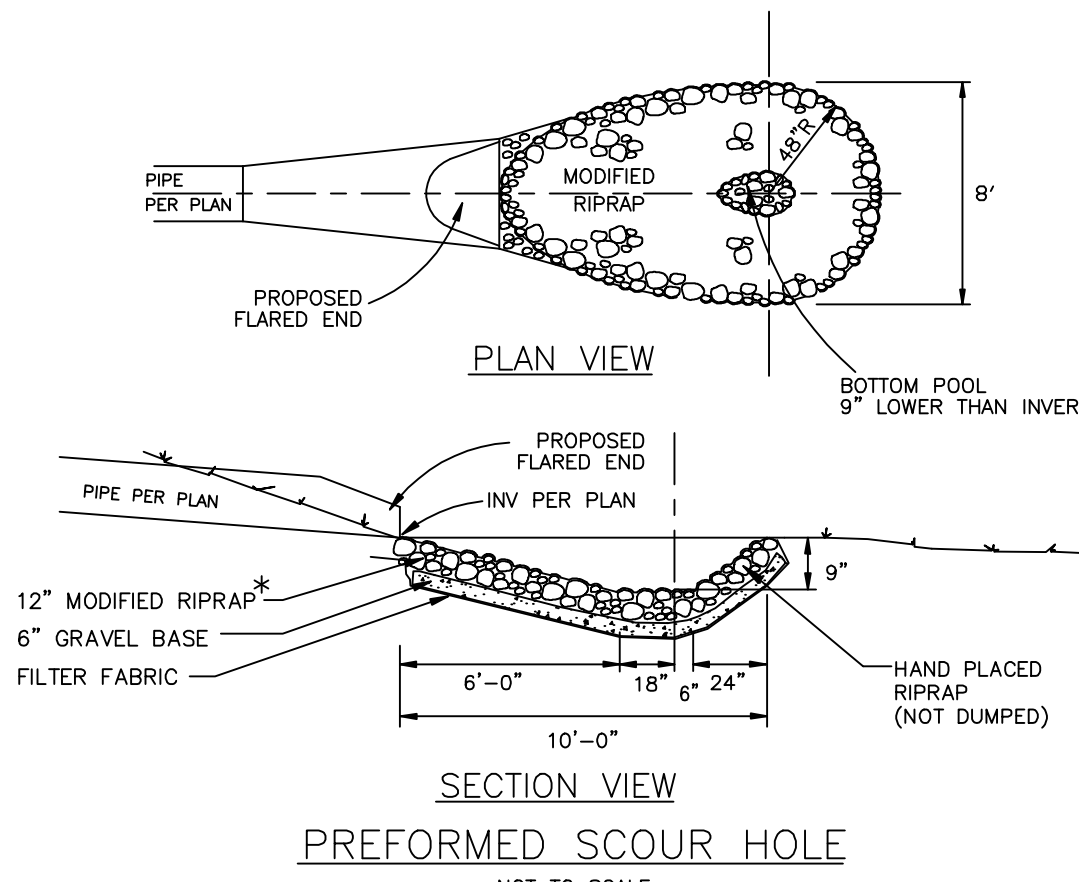
PRECAST CATCH BASIN

NOT TO SCALE



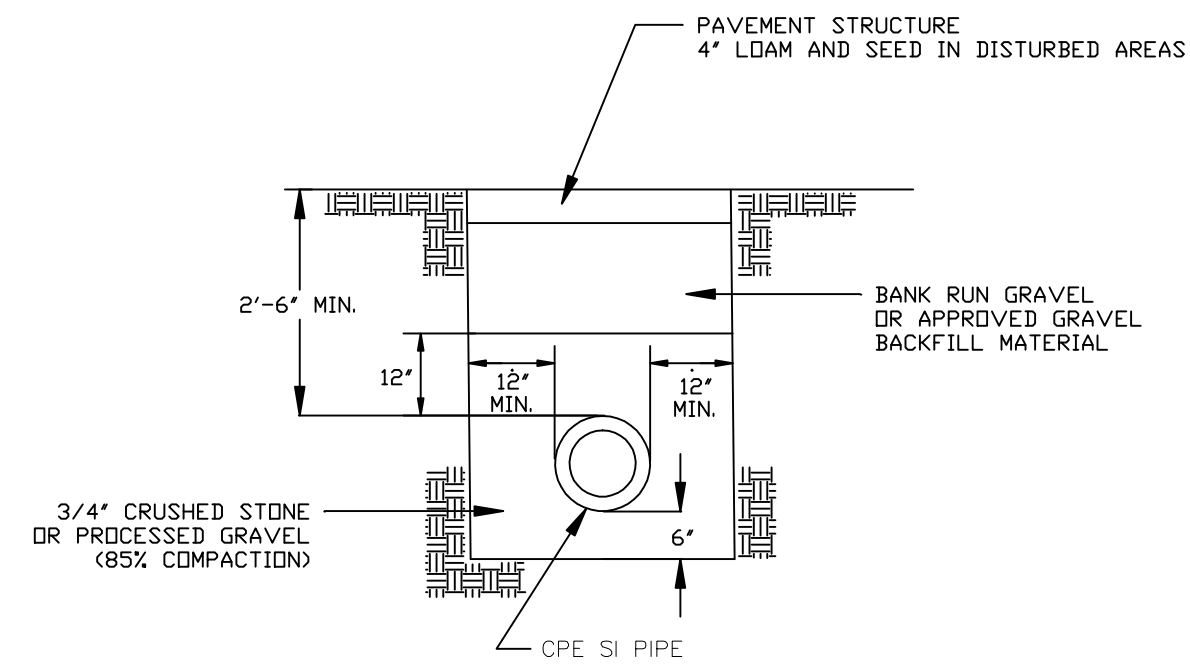
PRECAST CATCH BASIN

NOT TO SCALE



PREFORMED SCOUR HOLE

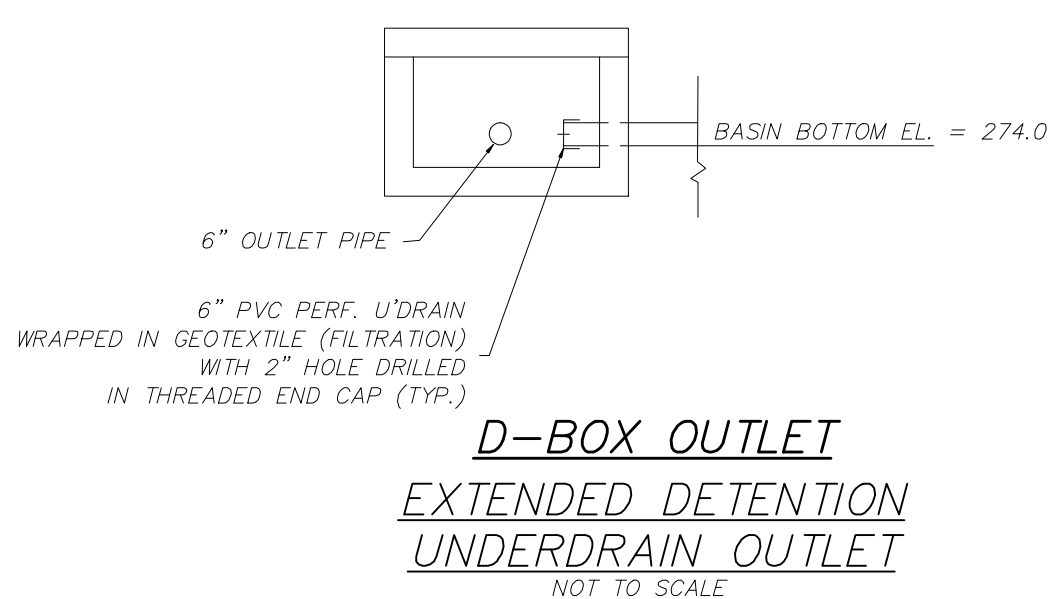
NOT TO SCALE



DRAINAGE PIPE TRENCH

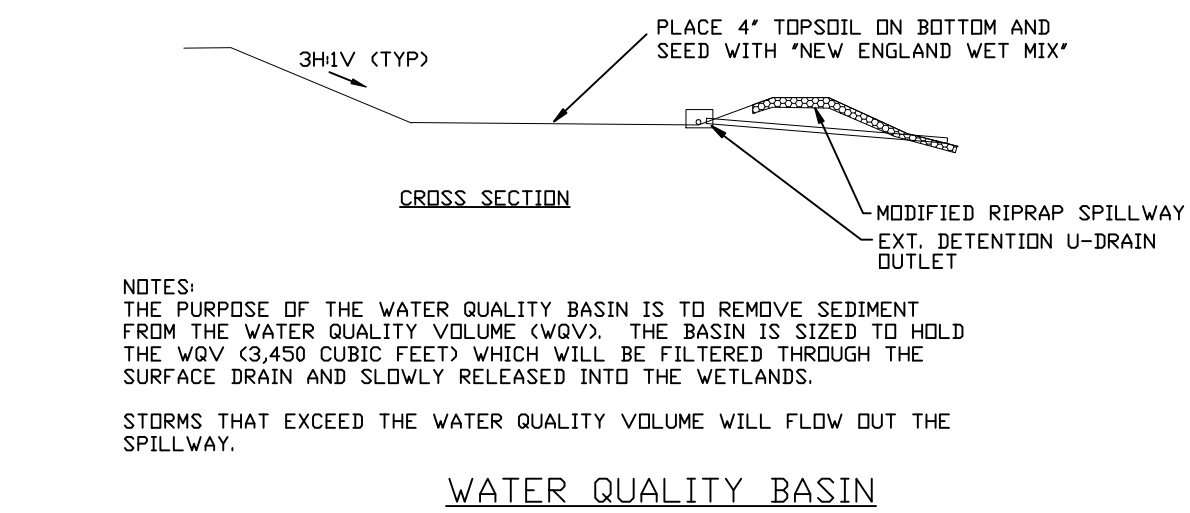
NOT TO SCALE

- NOTE:
- IF PIPE IS PLACED IN OR ON LEDGE, ALL LEDGE WITHIN 12" OF PIPE SHALL BE REMOVED AND REPLACED WITH PIPE BEDDING.



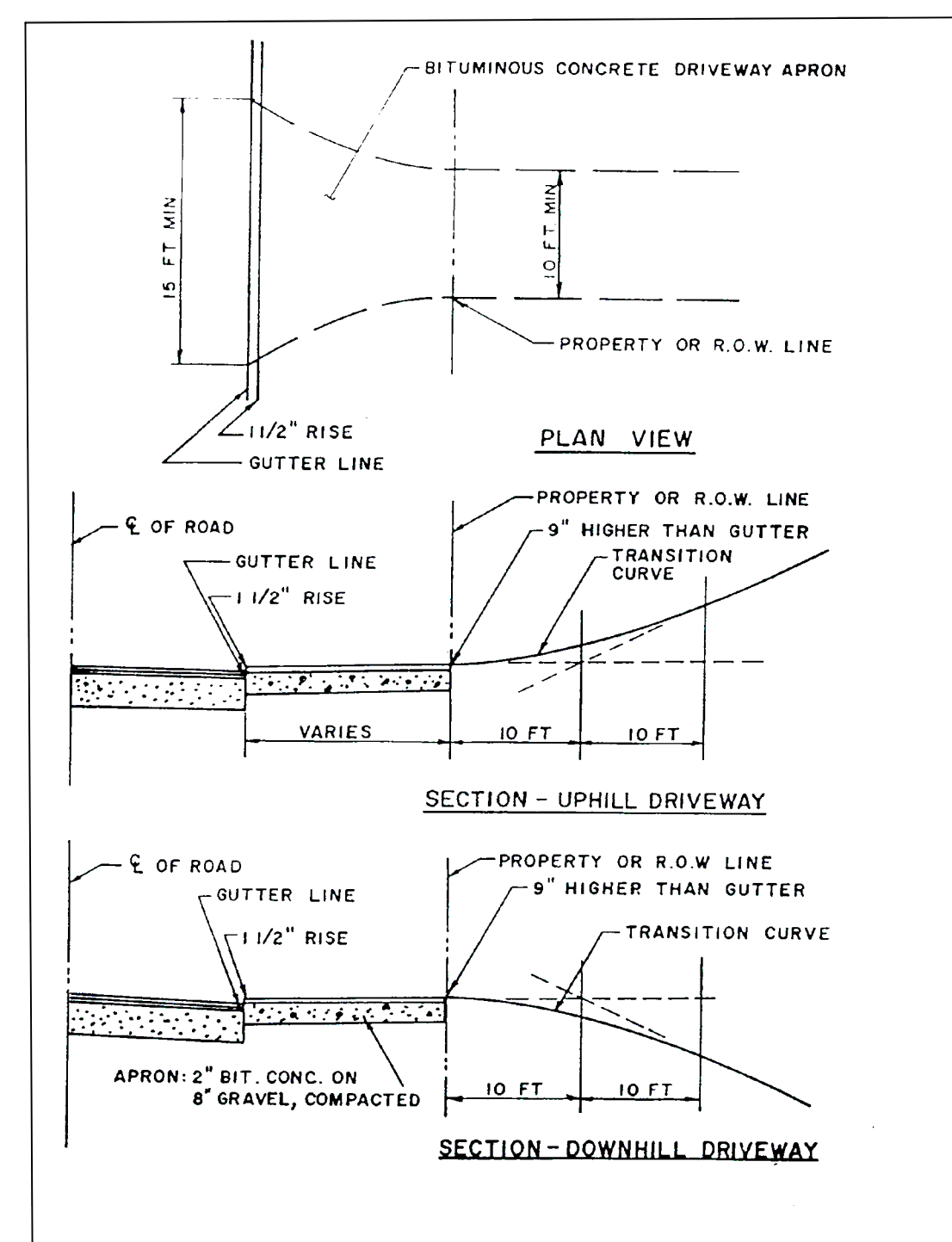
D-BOX OUTLET EXTENDED DETENTION UNDERDRAIN OUTLET

NOT TO SCALE



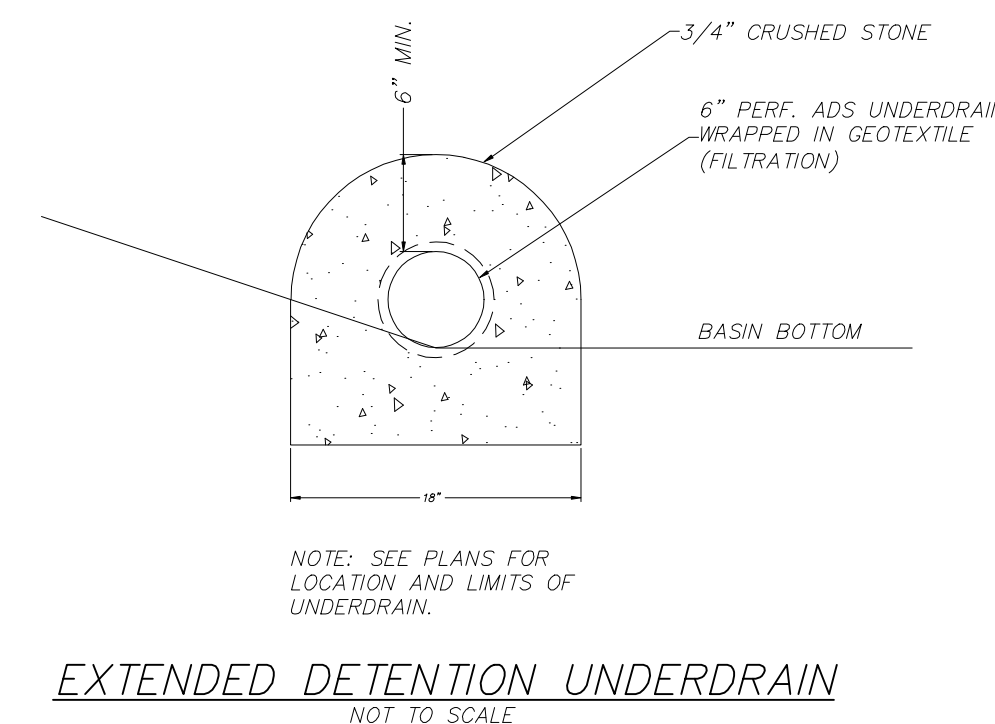
WATER QUALITY BASIN

- NOTES:
- THE PURPOSE OF THE WATER QUALITY BASIN IS TO REMOVE SEDIMENT FROM THE WATER QUALITY VOLUME (WQV). THE BASIN IS SIZED TO HOLD THE WQV (CUBIC FEET) WHICH WILL BE FILTERED THROUGH THE SURFACE DRAIN AND SLOWLY RELEASED INTO THE WETLANDS.
 - STORMS THAT EXCEED THE WATER QUALITY VOLUME WILL FLOW OUT THE SPILLWAY.



DRIVEWAY APRON DETAIL

(N.T.S.)



EXTENDED DETENTION UNDERDRAIN

NOT TO SCALE

PLAN SHOWING CONSTRUCTION DETAILS EAGLES LANDING AN OPEN SPACE SUBDIVISION PROPERTY OF MR G 1 LLC 79 VINEGAR HILL ROAD LEDYARD, CONNECTICUT JUNE 2022

THIS DRAWING IS THE PROPERTY OF THE LAND SURVEYOR. THIS PLAN AND REPRODUCTIONS, ADDITIONS OR REVISIONS OF THIS PLAN ARE NOT VALID WITHOUT THE EMBOSSED SEAL AND SIGNATURE OF THE LAND SURVEYOR WHO PREPARED THIS PLAN. JOB# 17-04740SCALE.DWG FBK#300

DIETER & GARDNER LAND SURVEYORS • PLANNERS P.O. BOX 335 1641 ROUTE 12 GALES FERRY, CT. 06335 (860) 464-7455 EMAIL: DIETER.GARDNER@YAHOO.COM