

FIRST FLOOR PLAN

SCALE: 1/4"=1'-0"

DWG. NO. A-4

SCALE: AS NOTED

DATE: 8/20/2024

DRAWN BY: D. MORIN

CREATIVE DESIGNS & DRAFTING SERVICES

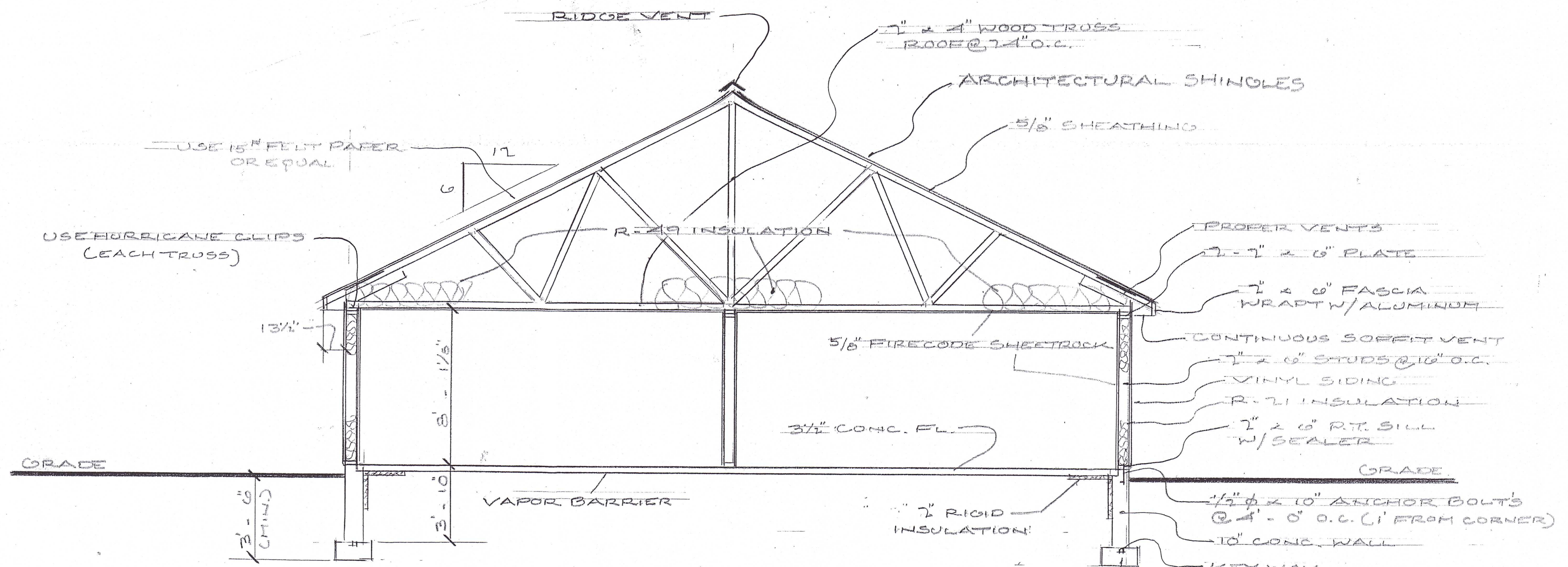
SOUTH WINDHAM, CT.

(860) 377-7560

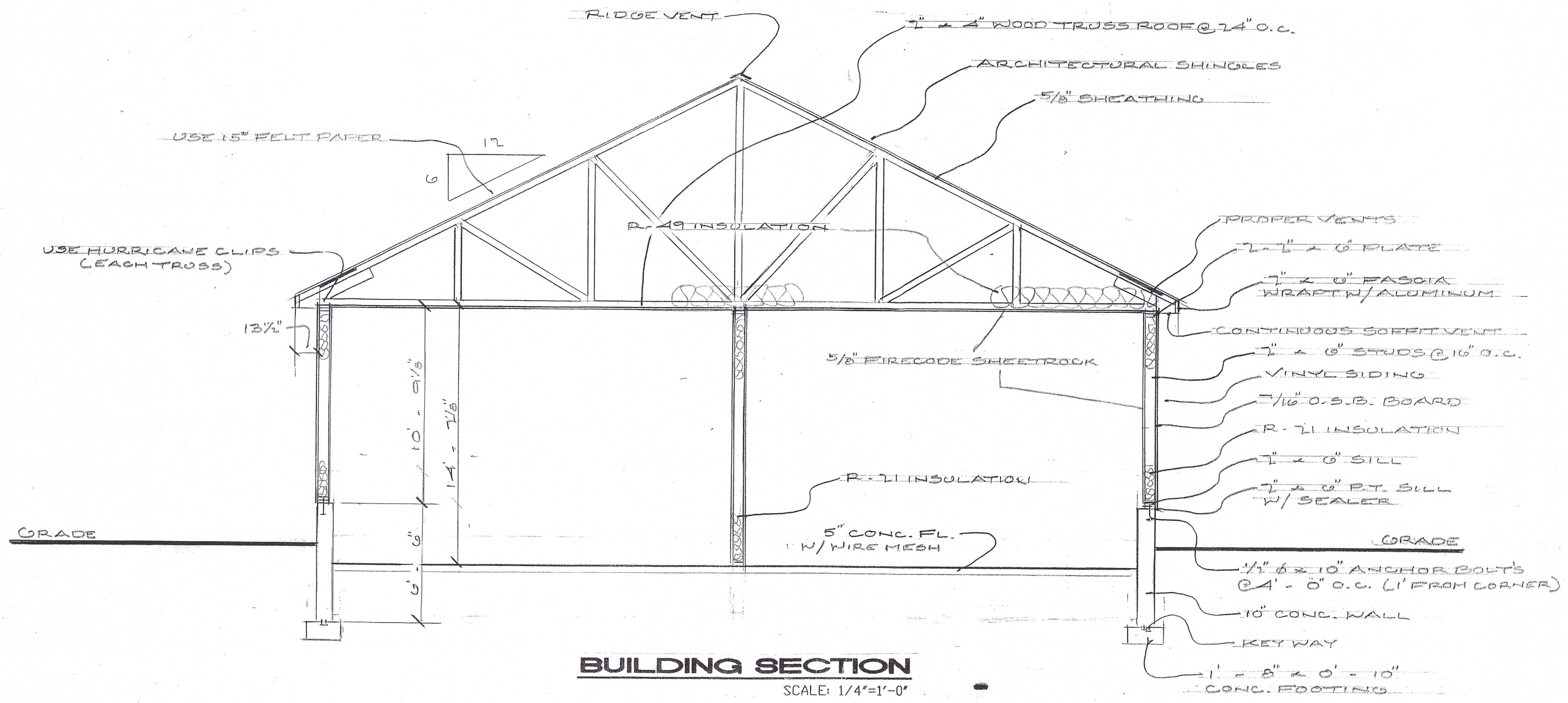


ROOF FRAMING PLAN
SCALE: 1/4"=1'-0"

* ROOF TRUSSES SHALL BE DESIGNED, FABRICATED AND ERECTED IN ACCORDANCE WITH TRUSS PLATE INSTITUTION SPECIFICATION, BRACING COMMENTARY AND RECOMMENDATIONS. TRUSS DESIGN SHALL BE SUBMITTED AND CERTIFIED BY A PROFESSIONAL ENGINEER REGISTERED IN THE STATE OF CONNECTICUT, RHODE ISLAND, OR MASSACHUSETTS.



BUILDING SECTION
SCALE: 1/4"=1'-0"



BUILDING SECTION
SCALE: 1/4"=1'-0"

DWG. NO. **A-7**

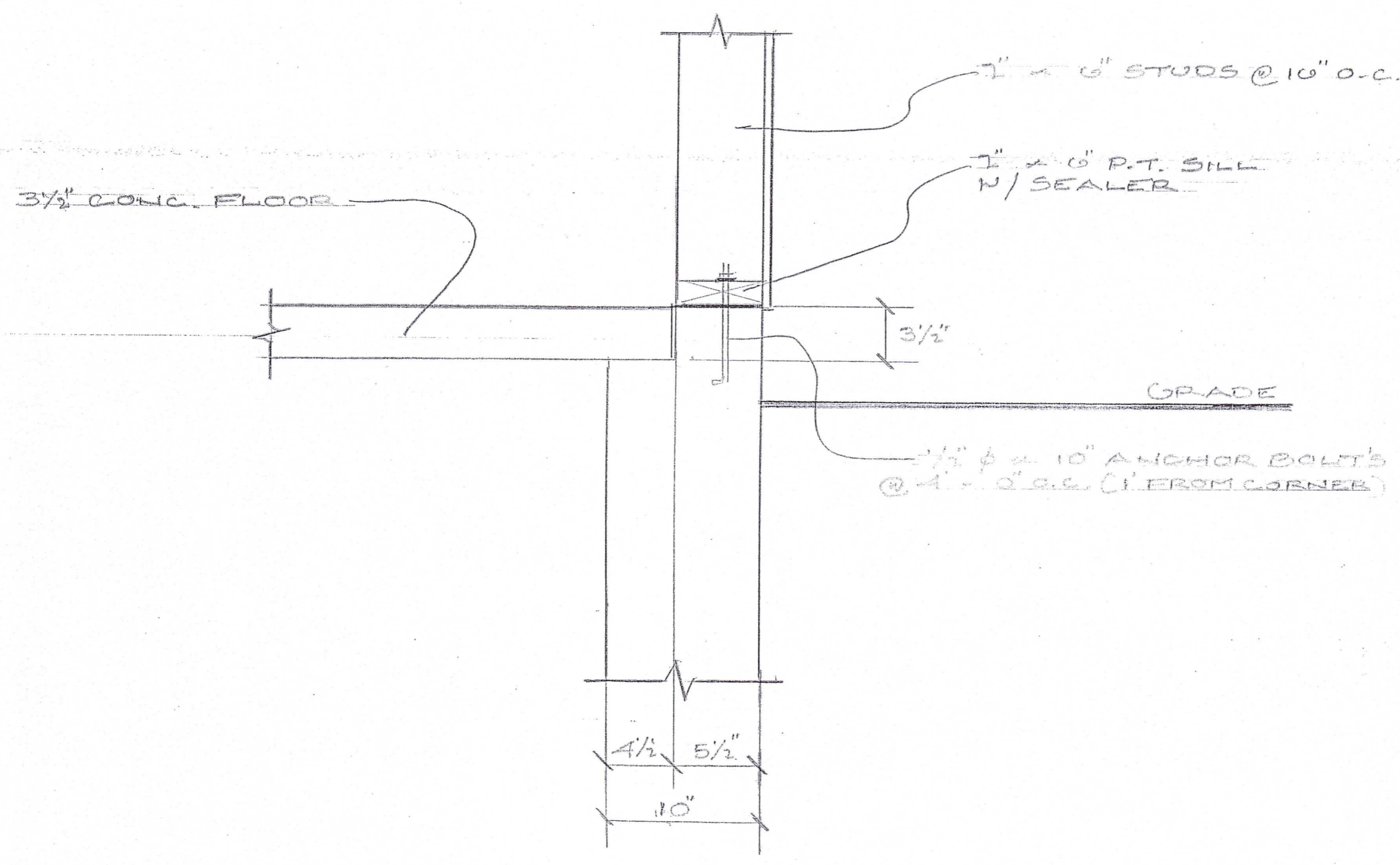
SCALE: AS NOTED

DATE: 8/20/2014

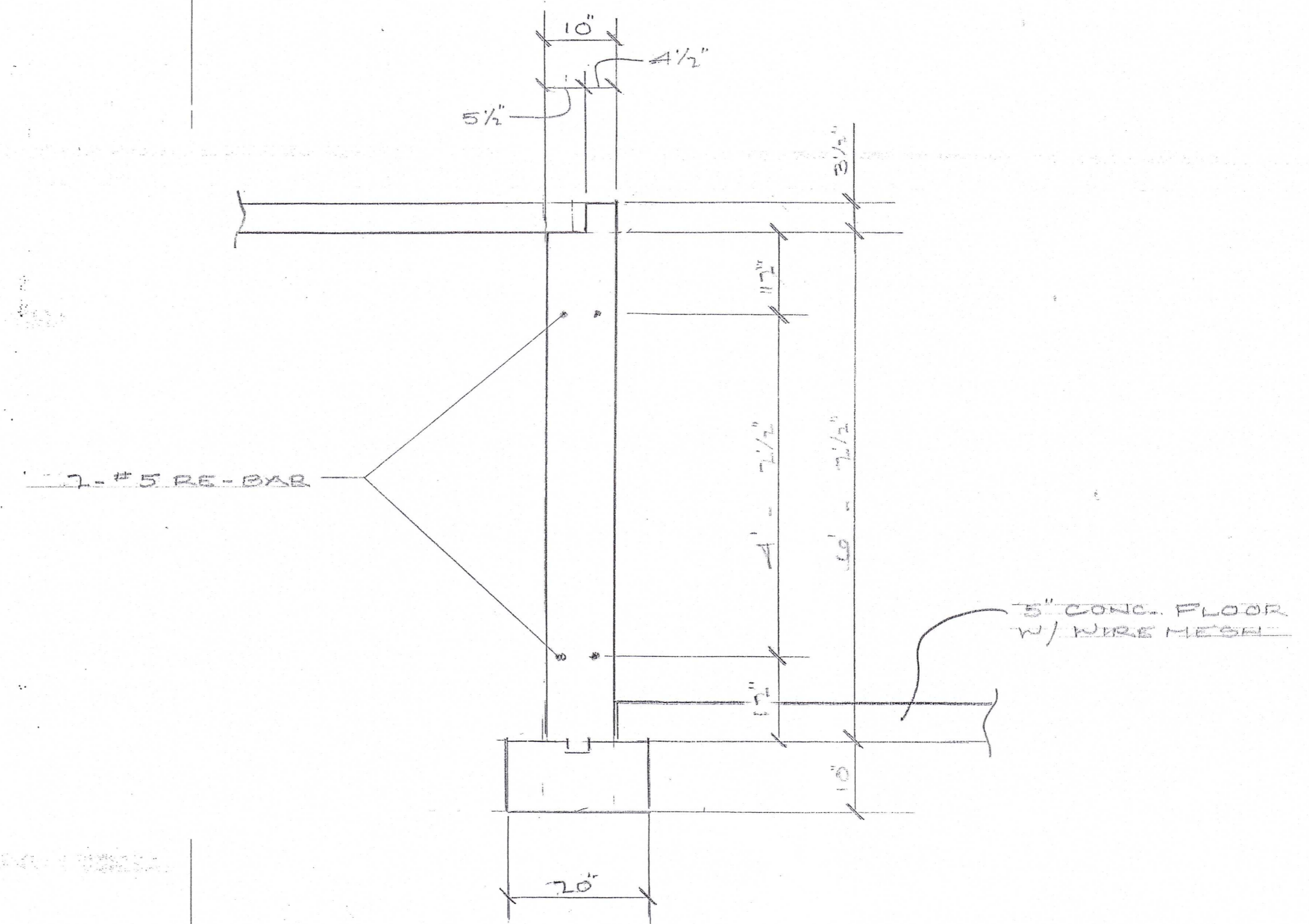
DRAWN BY: D. MORIN

CREATIVE DESIGNS & DRAFTING SERVICES

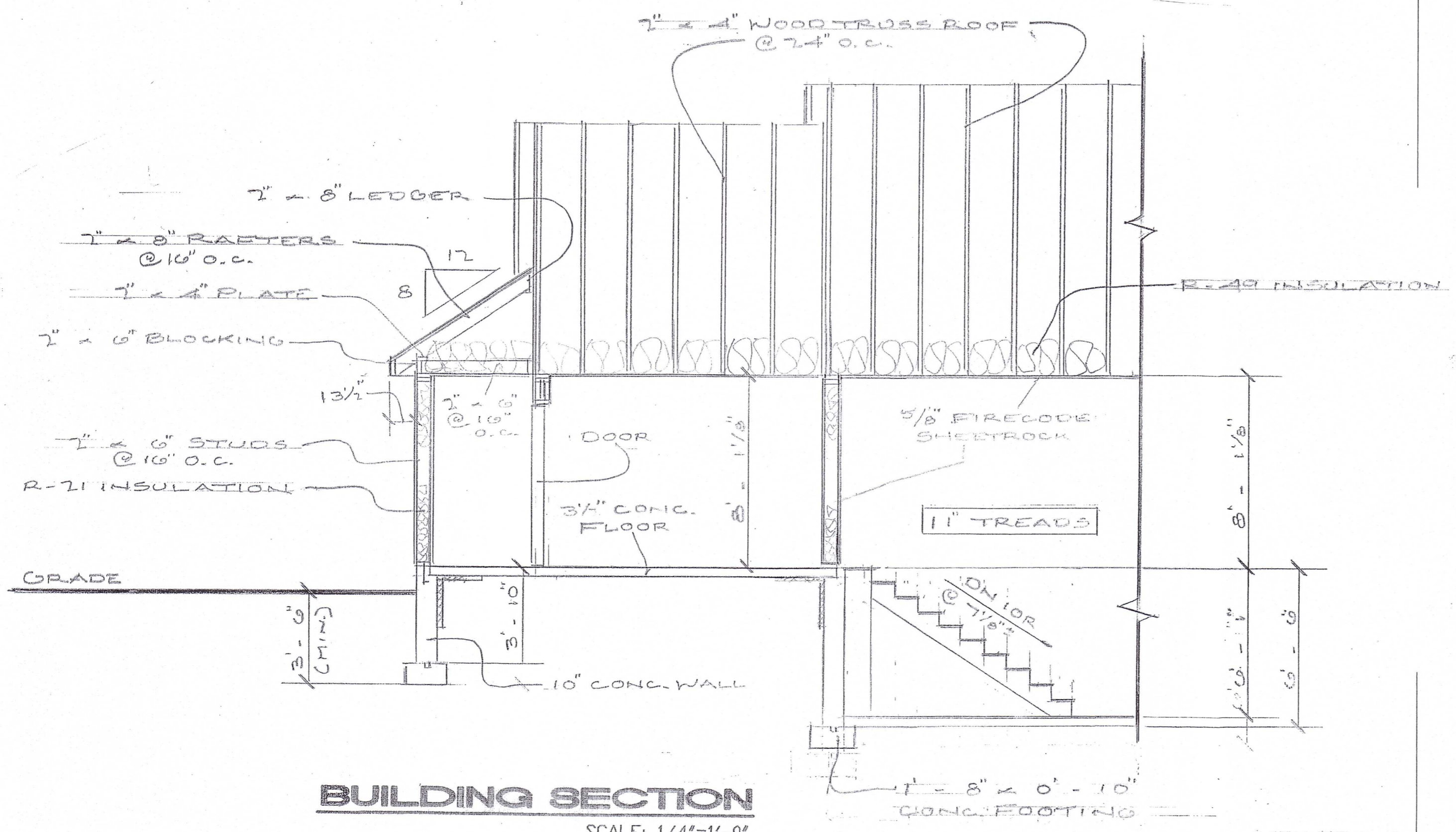
SOUTH WINDHAM (860) 377-7560



FOUNDATION DETAIL
SCALE: 1 1/2"=1'-0"



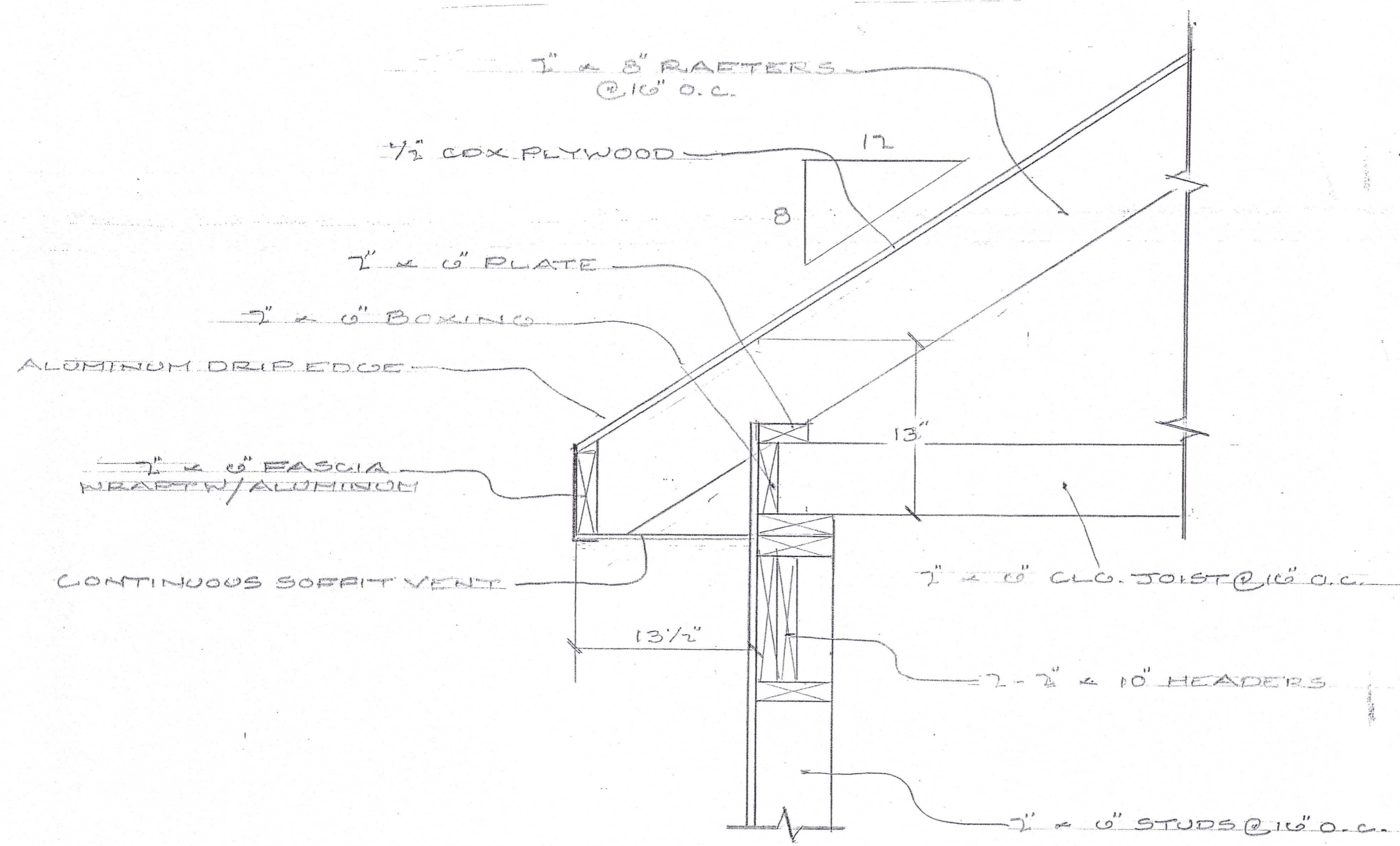
FOUNDATION DETAIL
SCALE: 1 1/2"=1'-0"



BUILDING SECTION
SCALE: 1/4"=1'-0"

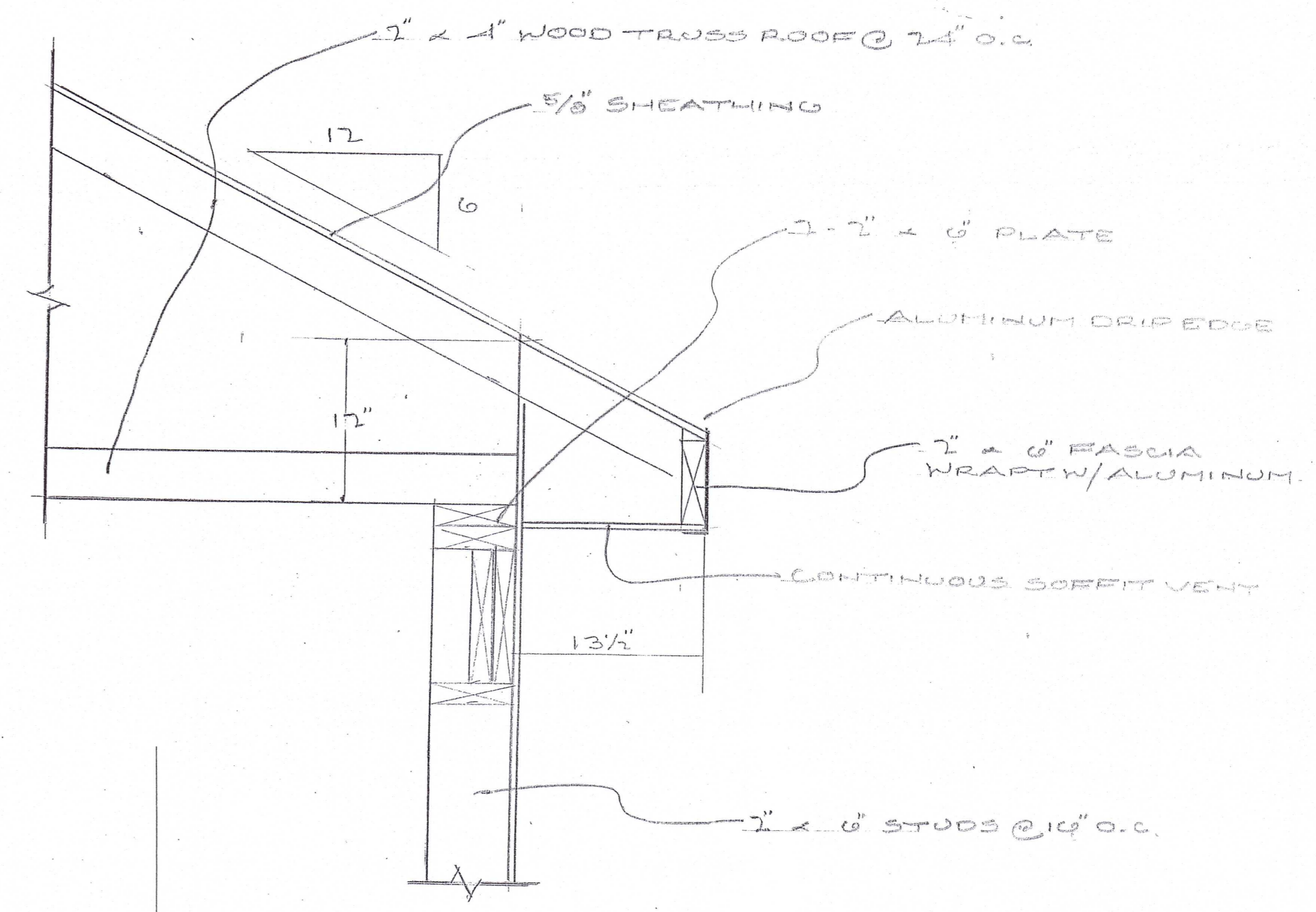
DWG. NO. **A-27**
 SCALE: AS NOTED
 DATE: 5/10/2014
 DRAWN BY: D. MORIN
 SOUTH WINDHAM (860) 377-7560

CREATIVE DESIGNS &
DRAFTING SERVICES



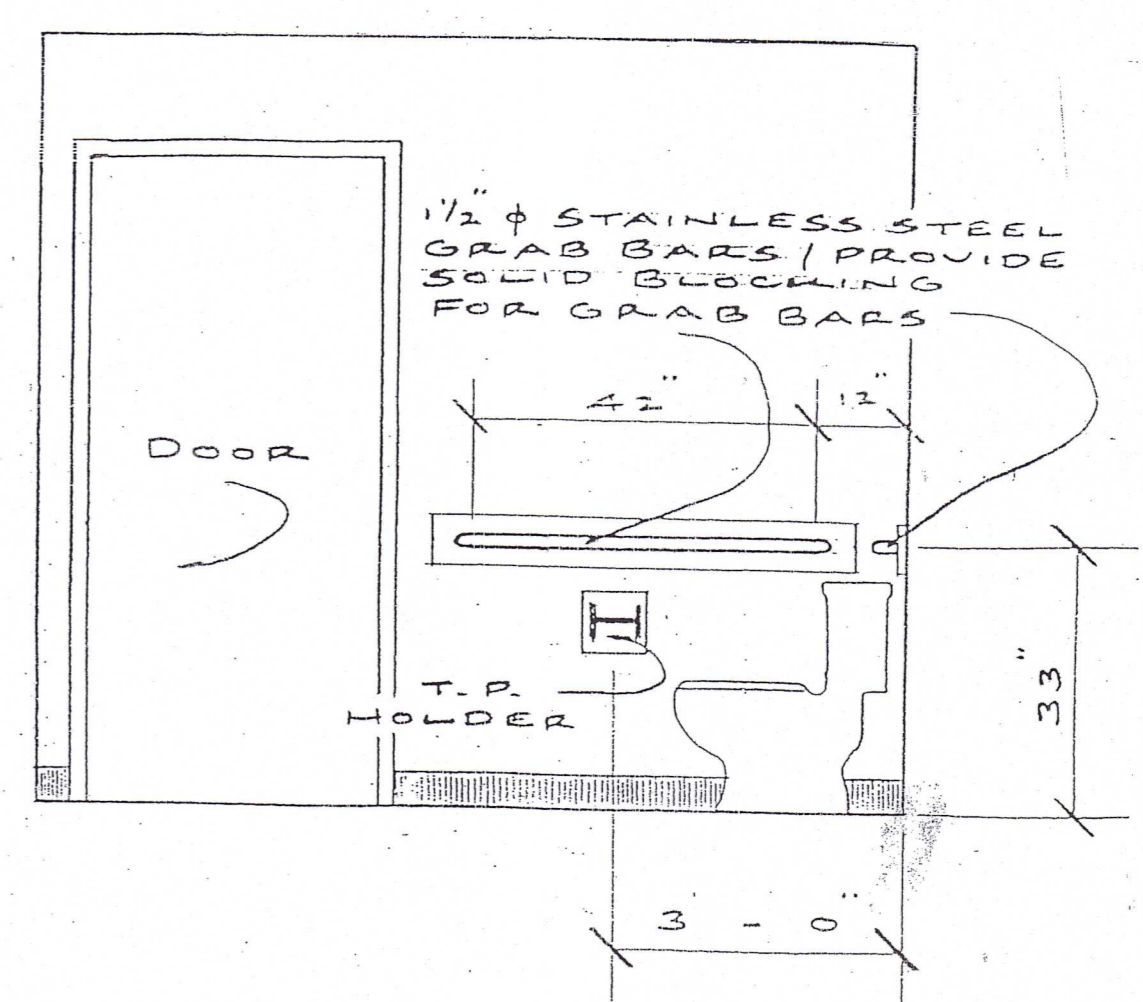
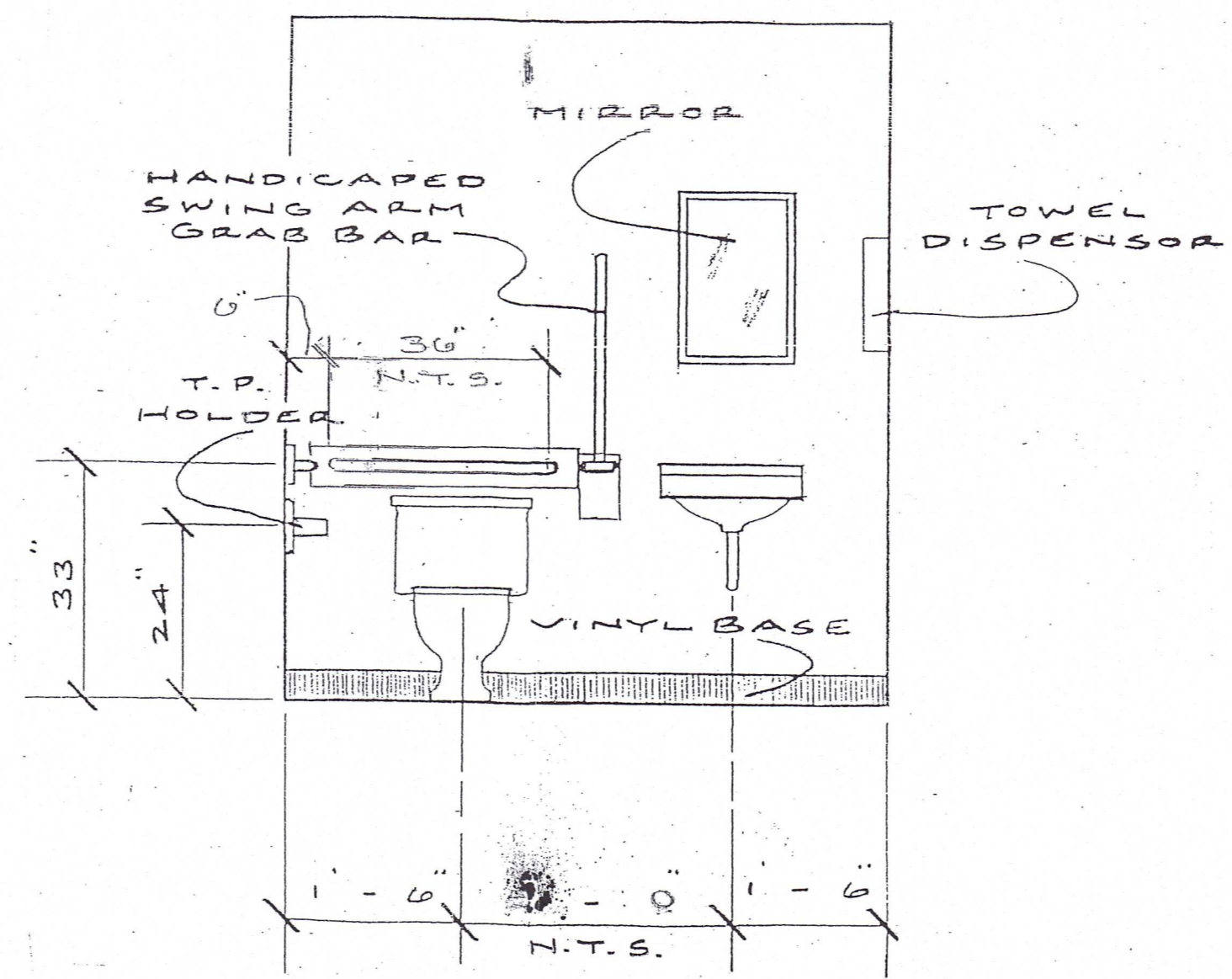
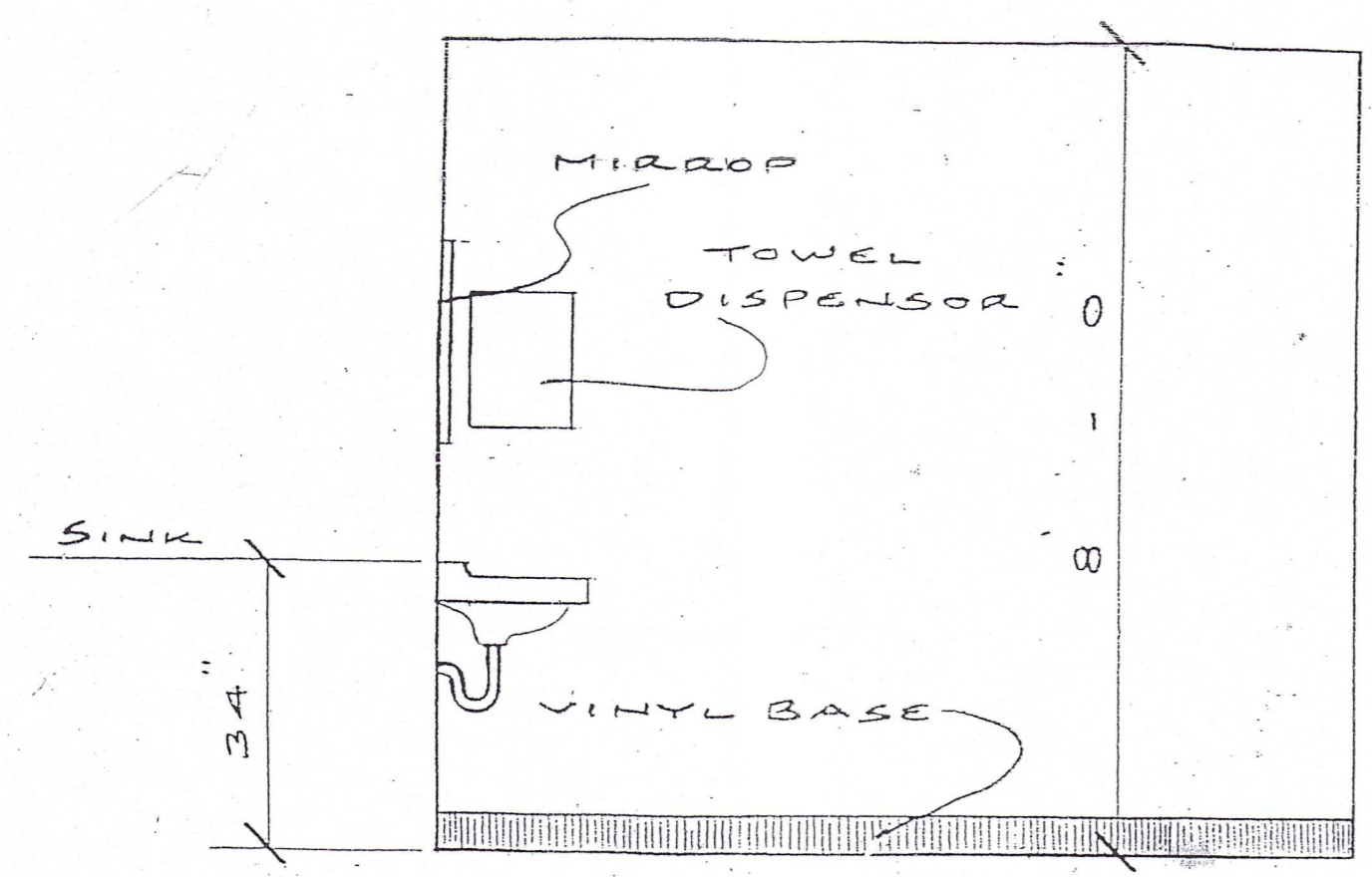
OVERHANG DETAIL

SCALE: 1 1/2"=1'-0"



OVERHANG DETAIL

SCALE: 1 1/2"=1'-0"

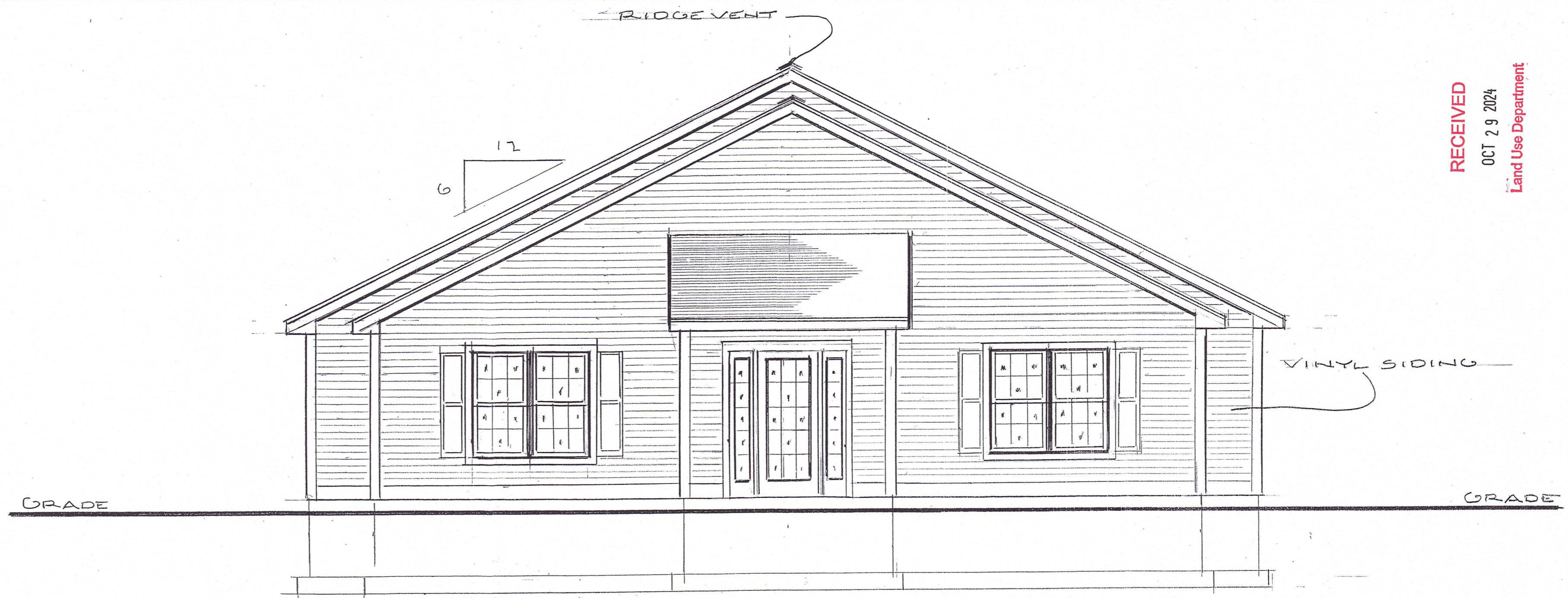


TYPICAL TOILET ROOM ELEVATIONS

SCALE: 1/2"=1'-0"

DWG. NO. A-8
 SCALE: AS NOTED
 DATE: 8/20/2024
 DRAWN BY: D. MORINI
 SOUTH WINDHAM (860) 377-7560

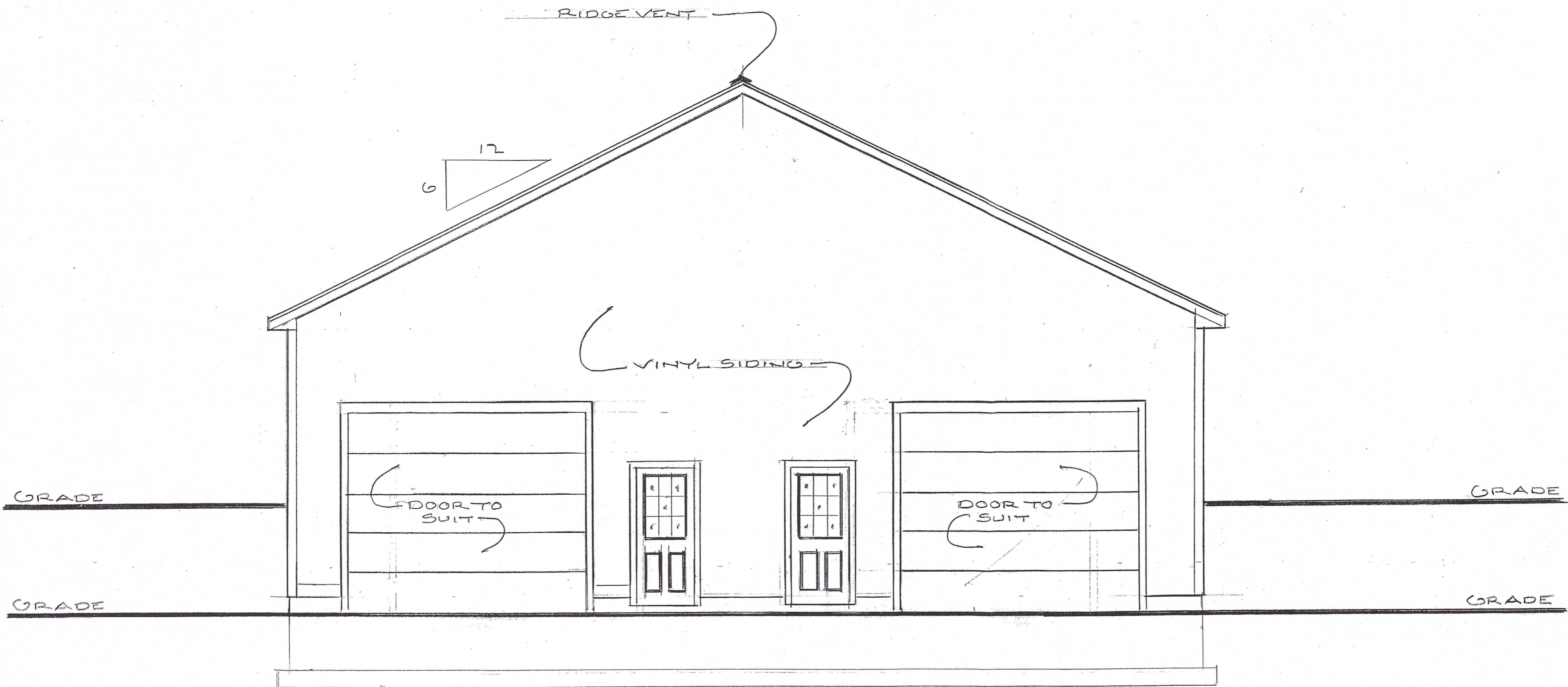
CREATIVE DESIGNS & DRAFTING SERVICES



FRONT ELEVATION

SCALE: 1/4"=1'-0"

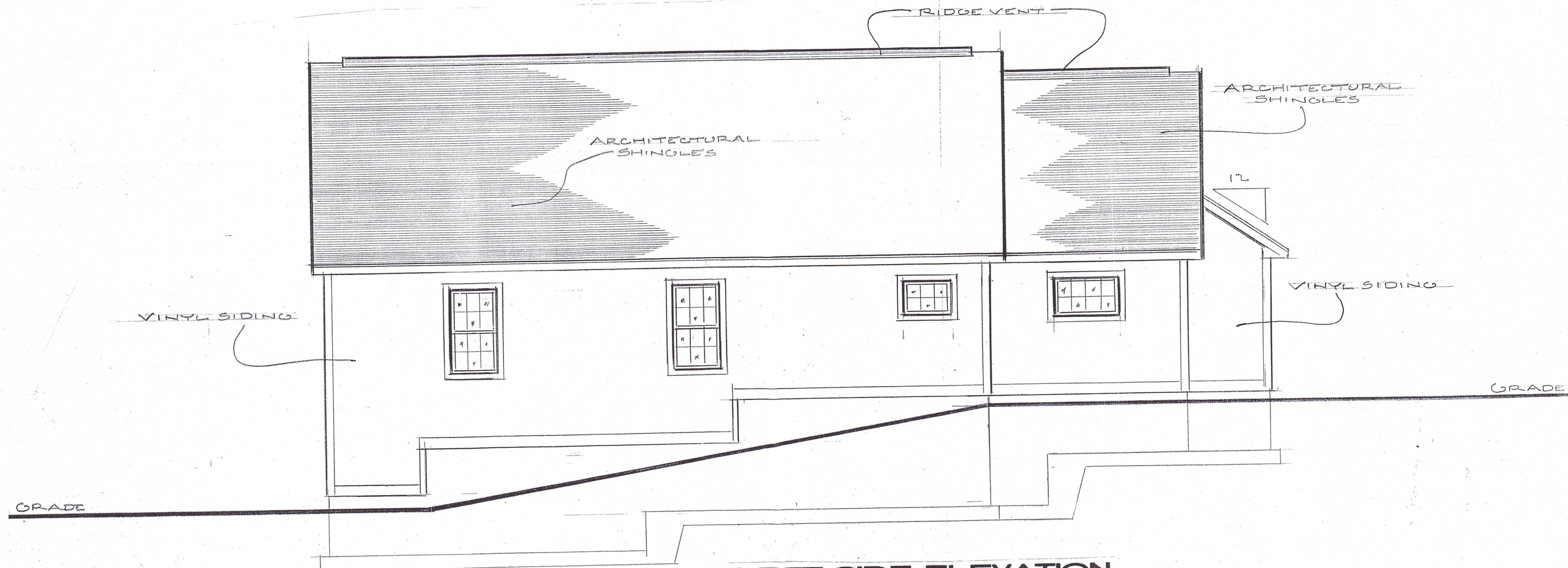
RECEIVED
OCT 29 2024
Land Use Department



REAR ELEVATION

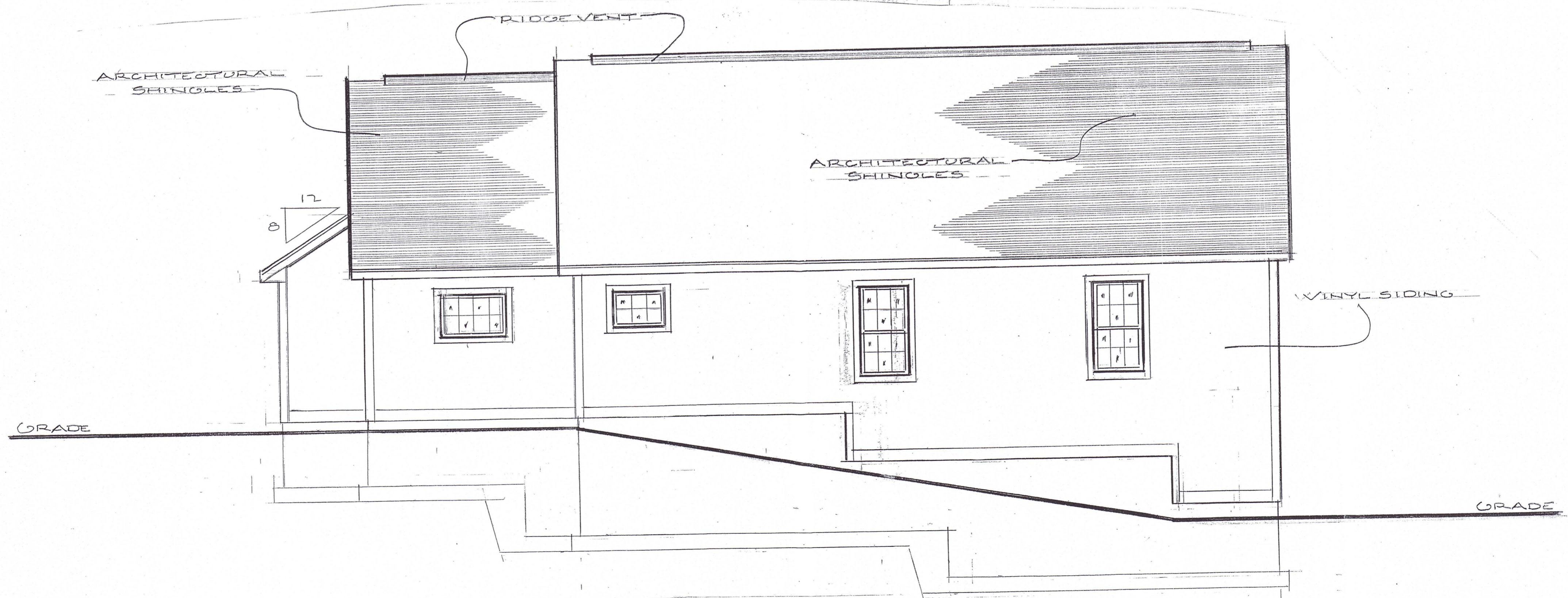
SCALE: 1/4"=1'-0"

DWG. NO. A-1
SCALE: AS NOTED
DATE: 8/20/2024
DRAWN BY: D. MORIN
CREATIVE DESIGNS & DRAFTING SERVICES
SOUTH WINDHAM, CT. (860) 377-7580



LEFT SIDE ELEVATION

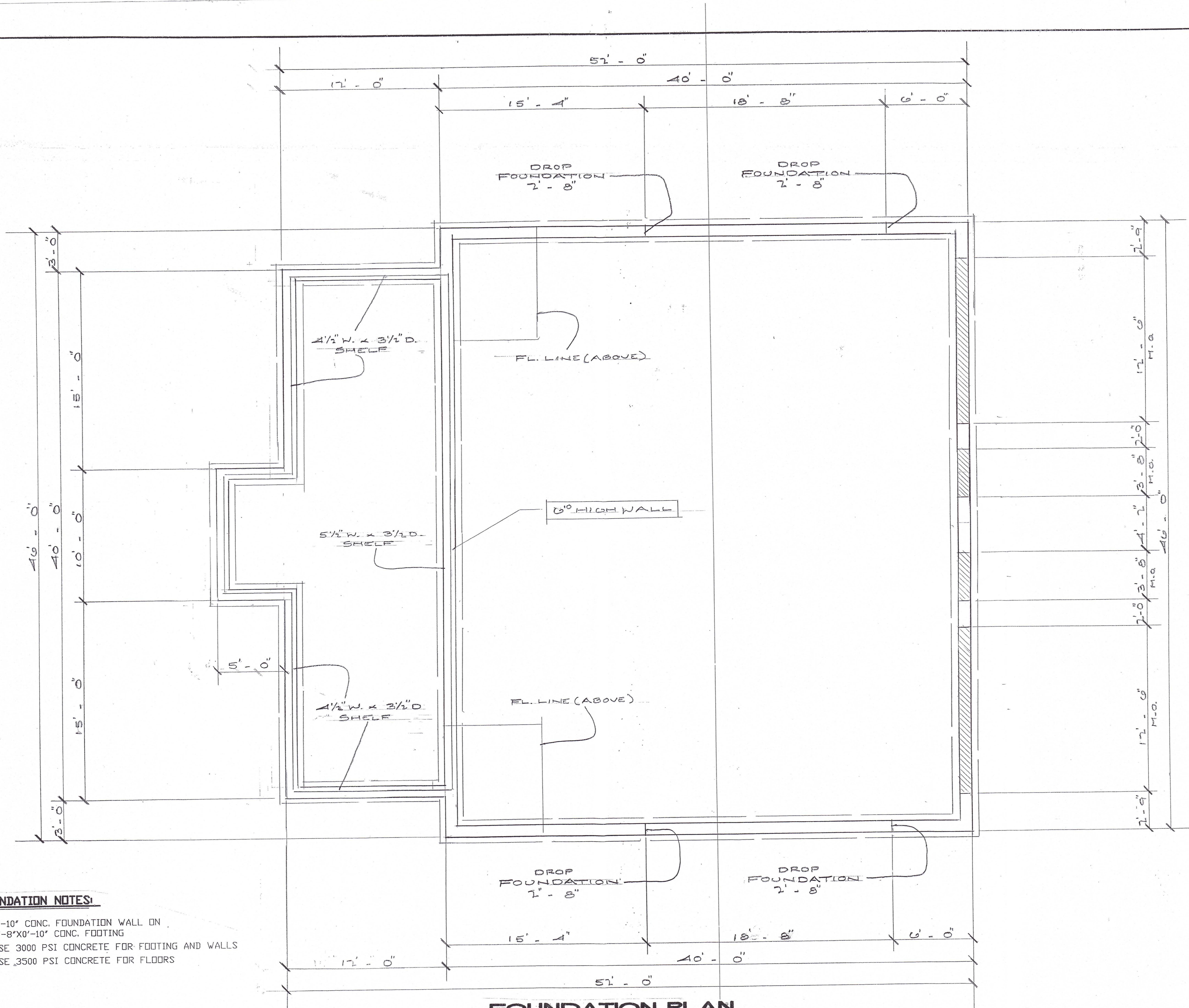
SCALE: 1/4"=1'-0"



RIGHT SIDE ELEVATION

SCALE: 1/4"=1'-0"

DWG. NO. **A-2**
 SCALE: AS NOTED
 DATE: 6/20/2024
 DRAWN BY: D. MORIN
 CREATIVE DESIGNS & DRAFTING SERVICES
 SOUTH WINDHAM (860) 377-7560



FOUNDATION NOTES:

- 1) 0'-10" CONC. FOUNDATION WALL ON 1'-8"x0'-10" CONC. FOOTING
- 2) USE 3000 PSI CONCRETE FOR FOOTING AND WALLS
- 3) USE 3500 PSI CONCRETE FOR FLOORS

FOUNDATION PLAN

SCALE: 1/4"=1'-0"

DWG. NO. **A-3**
 SCALE: AS NOTED
 DATE: 8/20/2024
 DRAWN BY: D. MORIN

CREATIVE DESIGNS & DRAFTING SERVICES
 SOUTH WINDHAM (860) 377-7560