

EROSION & SEDIMENT CONTROL PLAN

NARRATIVE:
PURPOSE AND DESCRIPTION OF PROJECT:
 THE PURPOSE OF THIS PROJECT IS TO SUBDIVIDE 6.38 ACRES OF LAND TO CREATE 18 RESIDENTIAL BUILDING LOTS. EACH LOT WILL BE SERVICED BY ON SITE WELL AND SEPTIC SYSTEM. APPROXIMATELY 510 LINEAR FEET OF ROAD WILL BE CONSTRUCTED. THE PAVEMENT WIDTH IS 22 FEET. THE TOTAL AREA OF NEW PAVEMENT ASSOCIATED WITH THE ROAD CONSTRUCTION WILL BE APPROXIMATELY 16,100 SQUARE FEET. ROAD DRAINAGE HAS BEEN DESIGNED BY A PROFESSIONAL ENGINEER, AND INCLUDES CURBED PAVEMENT AND CATCH BASINS WITH 2 FOOT SUMP DEPTHS. THE UPLANDS ARE GENTLY SLOPING AND MOSTLY OLD PASTURE. THE UPLAND SOILS ON THE PROJECT SITE INCLUDE WELLDRAINED CANTON HINCKLEY AND AGAWAM SOILS.

IT IS ANTICIPATED THAT ONCE WORK ON THE PUBLIC IMPROVEMENTS BEGINS, IT WILL CONTINUE UNTIL THE PROJECT IS COMPLETED. IT IS ANTICIPATED THAT THE ROAD CONSTRUCTION WILL BE COMPLETED WITHIN ONE YEAR OF COMMENCEMENT.

PETER GARDNER 860-464-7455 (OR OWNER AT TIME OF CONSTRUCTION) SHALL BE RESPONSIBLE FOR OVERSEEING THE INSTALLATION AND PROPER MAINTENANCE OF ANY EROSION & SEDIMENT CONTROL MEASURES EMPLOYED IN IMPLEMENTING THIS PLAN.

TOTAL AREA OF THE PROJECT SITE AND THE TOTAL AREA OF THE SITE THAT IS EXPECTED TO BE DISTURBED BY ROAD AND DRAINAGE CONSTRUCTION ACTIVITIES: _____

THE TOTAL PROJECT AREA IS 6.38 ACRES OF WHICH APPROXIMATELY 0.5± ACRES WILL BE DISTURBED TO FACILITATE THE CONSTRUCTION OF THE ROAD AND DRAINAGE. _____

ESTIMATE OF TOTAL AREA TO BE DISTURBED APPROXIMATELY 2.5± ACRES FOR HOME/DRIVE AND SEPTIC CONSTRUCTION. _____

PLANNED START AND COMPLETION DATES FOR THE PROJECT: _____

IT IS ANTICIPATED THAT THE PROJECT WILL COMMENCE DURING FALL OF 2024 AND BE COMPLETED IN THE FALL OF 2025.

DESIGN CRITERIA, CONSTRUCTION DETAILS AND MAINTENANCE PROGRAM FOR THE EROSION & SEDIMENT CONTROL MEASURES TO BE USED:
 SILT FENCE AND SILT FENCE BACKED WITH HAY BALES FOR STRUCTURAL SUPPORT WILL BE USED. ALL SILT FENCE SEDIMENT BARRIERS SHALL BE MAINTAINED SUCH THAT SEDIMENTS WILL BE REMOVED WHEN REACHING A HEIGHT OF 0.5 FEET. BREACHES IN SILT FENCE SHALL BE REPAIRED IMMEDIATELY. THE SILT FENCE SHALL BE INSPECTED AT LEAST WEEKLY AND AFTER EACH RAINFALL OF 0.5 INCH IN A 24 HOUR PERIOD.

CONSTRUCTION ENTRANCE DESIGN AND MAINTENANCE CRITERIA FROM 2002 CONNECTICUT GUIDELINES FOR SOIL EROSION AND SEDIMENT CONTROL, ENTRANCE: THE CONSTRUCTION ENTRANCES WILL BE CONSTRUCTED OF ANGULAR STONE IN A SIZE AND GRADATION CORRESPONDING TO ASTM C-33, SIZE NO. 2 OR 3, OR DOT STANDARD SPECIFICATIONS SECTION M.01.01 SIZE #3. THE CONSTRUCTION ENTRANCE WILL BE 12 FEET WIDE AND 50 FEET LONG.

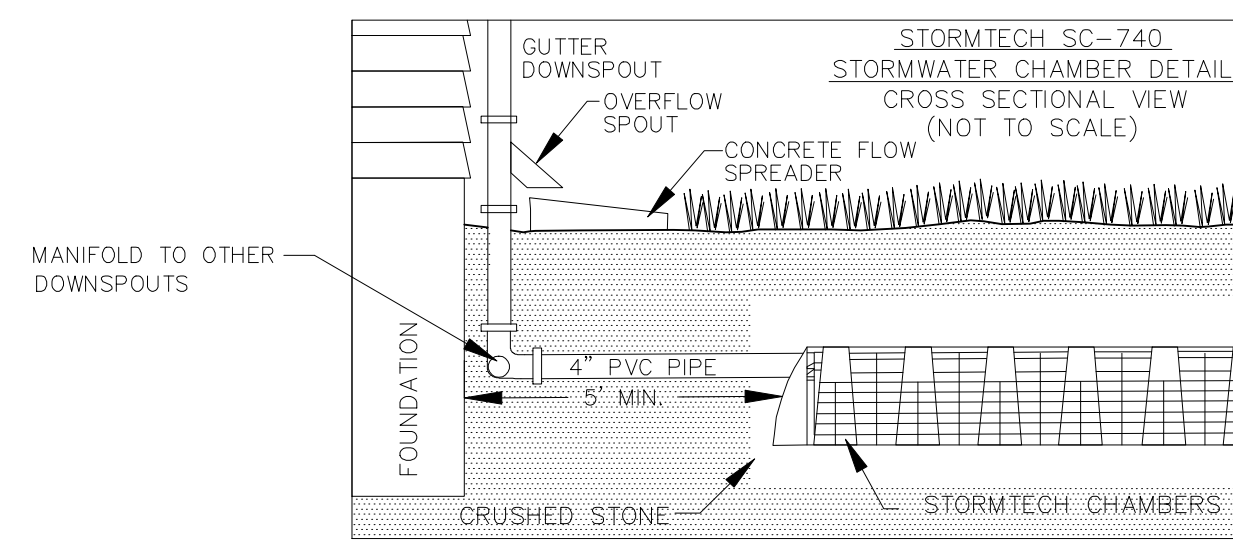
CONSTRUCTION: CONSTRUCTION ENTRANCE AREA WILL BE CLEARED AND GRUBBED. AREAS WILL THEN BE ROUGH GRADED. A 4-INCH LAYER OF CRUSHED STONE WILL BE SPREAD AS DEPICTED IN THE DETAILS.

MAINTENANCE: THE CONSTRUCTION ENTRANCE WILL BE MAINTAINED IN A CONDITION THAT WILL MITIGATE TRACKING AND WASHING OF SEDIMENT ONTO PAVED SURFACES. THE CONSTRUCTION ENTRANCE WILL BE TOP DRESSED AS NEEDED TO PROVIDE FUNCTIONALITY. ADDITIONAL LENGTH MAY BE ADDED IF ON-SITE CONDITIONS WARRANT SUCH EXTENSION. ANY ACCUMULATED OR SPILLED SEDIMENTS WILL BE CLEANED IMMEDIATELY, AND DISPOSED OF IN A MANNER WHICH IS CONSISTENT WITH THE INTENT OF THIS EROSION & SEDIMENT CONTROL PLAN.

STOCKPILE MANAGEMENT WILL BE DONE IN ACCORDANCE WITH THE 2002 CONNECTICUT GUIDELINES FOR SOIL EROSION AND SEDIMENT CONTROL (CHAPTER 4). TOPSOIL STOCKPILES WILL BE LOCATED AS DEPICTED ON THE PLANS, AND WILL BE TREATED AS DISTURBED GROUND, I.E.: SURROUNDED BY SILT FENCE, AND SEEDED TO GRASS AFTER ALL THE TOPSOIL TO BE STRIPPED IS PLACED IN THE STOCKPILE. STOCKPILE SLOPES SHALL NOT EXCEED 2:1.

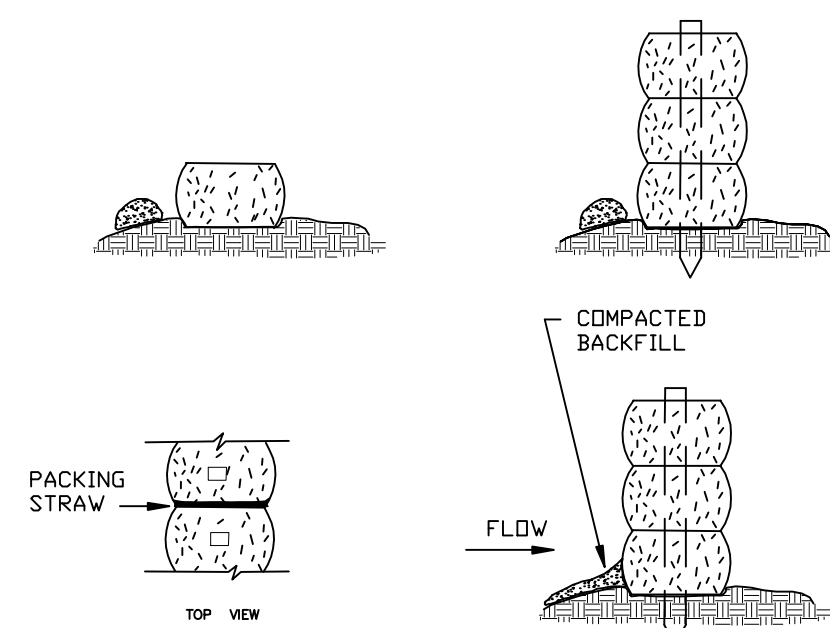
TOPSOILING SHALL TAKE PLACE AS AREAS ARE BROUGHT TO GRADE. THE TOPSOIL THAT SHALL BE SPREAD IS OF NATURAL ORIGIN AND WILL BE TAKEN FROM THE TOPSOIL STOCKPILES(S) REFERRED TO ABOVE. STONES LARGER THAN 2 INCHES IN DIAMETER AND OTHER DEBRIS WILL BE REMOVED FROM THE TOPSOIL WITH A RAKE. TOPSOIL SHALL BE SPREAD AT A MINIMUM DEPTH OF 4 INCHES OVER ALL DISTURBED AREAS. IN ORDER TO "BOND" THE TOPSOIL TO THE SUBSOIL, THE SUBGRADE WILL BE LOOSENED BY "TRACKING" WITH A BULLDOZER IMMEDIATELY BEFORE APPLYING TOPSOIL. TOPSOIL WILL NOT BE PLACED IF THE SUBGRADE OR THE TOPSOIL IS FROZEN OR TOO WET. HEAVY RUBBER-TIRED VEHICLES WILL BE EXCLUDED FROM THE NEWLY TOPSOILED AREAS TO PREVENT EXCESSIVE COMPACTION WHICH COULD HINDER SEED GERMINATION AND SEEDLING GROWTH.

HOMES WILL HAVE ROOF DRAINAGE TIE INTO STORMTECH SC-740 CHAMBER TO INFILTRATE 1" STORM



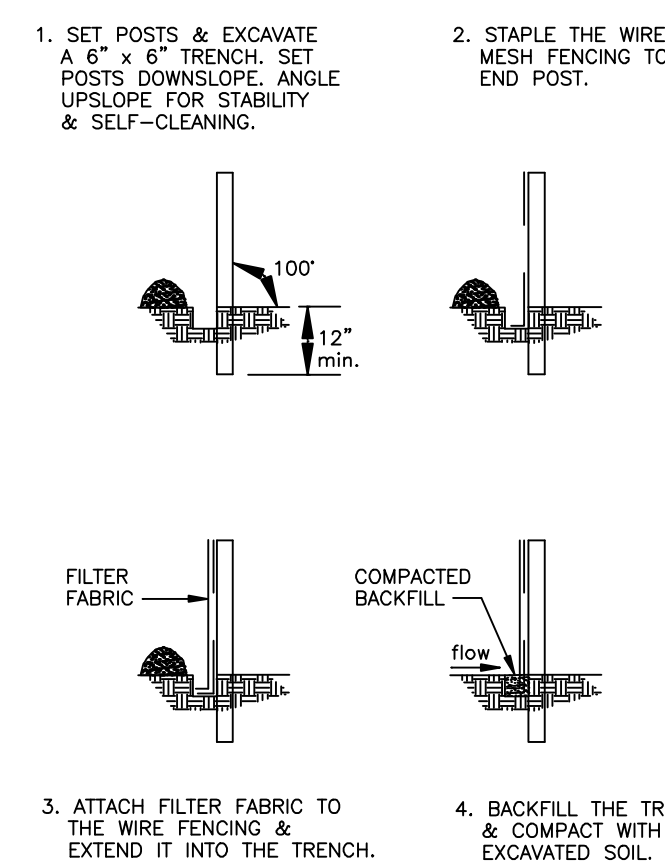
- NOTES:**
1. PROVIDE STORMTECH CHAMBERS TO CAPTURE 1" RAINFALL FROM THE ROOF OF THE HOME.
 2. KEEP ALL TRAFFIC OFF UNITS AFTER CONSTRUCTION.
 3. INSTALL CHAMBERS IN ACCORDANCE WITH STORMTECH DESIGN MANUAL.
- ROOF = 36' X 24' = 864 S.F.
 864 S.F. X 0.083 = 71.71 C.F.
 18 HOUSES X 864 = 15,552 S.F.
 15,552 S.F. X 0.083 = 1,290 C.F.

1. EXCAVATE A TRENCH 4" DEEP & THE WIDTH OF A STRAW BALE
2. PLACE & STAKE STRAW BALES, TWO STAKES PER BALE.



CONSTRUCTION OF A STRAW BALE BARRIER

NOT TO SCALE



FILTER FABRIC SEDIMENT BARRIER

NOT TO SCALE

PERMANENT SEEDING WILL BE DONE AS DISTURBED AREAS ARE BROUGHT TO GRADE AND TOPSOILED AS LONG AS SUCH SEEDING IS DONE BETWEEN APRIL 1 AND JULY OR AUGUST 15 THROUGH OCTOBER 31. WITHIN 7 DAYS AFTER TOPSOIL IS APPLIED THE APPROPRIATE SEED MIX WILL BE BROADCAST AT THE PRESCRIBED RATE FOR THAT PARTICULAR MIX. THE SELECTED SEED MIX WILL BE FROM THE 2002 CONNECTICUT GUIDELINES FOR EROSION AND SEDIMENT CONTROL, FIGURE PS-3. PRIOR TO SEEDING, FERTILIZER WILL BE APPLIED AT THE RATE OF 7.5 PER 1,000 SQUARE FEET (10-10-10 OR EQUIVALENT), AND GROUND LIMESTONE WILL BE APPLIED AT THE RATE OF 200 POUNDS PER 1,000 SQUARE FEET. THE LIME AND FERTILIZER WILL BE LIGHTLY WORKED TO A DEPTH OF 3 TO 4 INCHES. SEED SHALL BE APPLIED UNIFORMLY USING A CYCLONE SEEDER (HYDROSEEDING MAY BE USED IN LIEU OF CONVENTIONAL SEEDING METHODS). HAY MULCH WILL BE APPLIED AT THE RATE OF 100 POUNDS (APPROXIMATELY 2 BALES) PER 1,000 SQUARE FEET. WHERE SLOPES EXCEED 10 PERCENT, JUTE NETTING SHALL BE USED TO ANCHOR THE HAY MULCH IN PLACE. ANY SUCH NETTING WILL BE INSTALLED TO MANUFACTURER'S RECOMMENDATIONS.

MAINTENANCE: THE SEEDBED WILL BE INSPECTED AT LEAST ONCE PER WEEK, AND WITHIN 24 HOURS OF A RAINFALL IN AN AMOUNT EXCEEDING 0.5 INCHES IN 24 HOURS. IN ANY AREAS THAT SUSTAIN DAMAGE, THE TOPSOIL WILL BE REAPPLIED AND SMOOTHED, AND RESEED AS DESCRIBED ABOVE. THE NEWLY ESTABLISHED GRASS WILL NOT BE MOWN UNTIL IT REACHES A HEIGHT OF 6 INCHES. MOWING WILL NOT TAKE PLACE WHEN THE GROUND SURFACE IS WET. THE FIRST MOWING WILL TAKE 30 TO 50 PERCENT OF THE GRASS HEIGHT (I.E., NOT BELOW 3 INCHES). MULCH MATERIALS WILL NOT BE REMOVED, BUT WILL BE ALLOWED TO DISINTEGRATE OVER TIME.

WHERE BARE GROUND NEEDS TO BE PROTECTED FOR RELATIVELY SHORT PERIODS, OR WHERE THE SEEDING SEASONS FOR PERMANENT SEEDINGS CAN NOT BE ADHERED TO, TEMPORARY SEEDING MAY BE USED. THE RECOMMENDED SEED MIX WILL VARY UPON CIRCUMSTANCES, BUT SHALL BE IN COMPLIANCE WITH THE 2002 CONNECTICUT GUIDELINES FOR SOIL EROSION AND SEDIMENT CONTROL, FIGURE TS-2. TEMPORARY SEEDING RATES AND DATES, WHERE THE SEASON PRECLUDES ANY TYPE OF SEEDING, AN ANCHORED MULCH WILL BE EMPLOYED TO PROTECT BARE SOIL AREAS.

CONSTRUCTION SEQUENCE: PRIOR TO THE COMMENCEMENT OF ANY EARTH DISTURBANCES, THE DEVELOPER AND HIS CONTRACTOR SHALL MEET WITH TOWN STAFF FOR A PRECONSTRUCTION CONFERENCE.

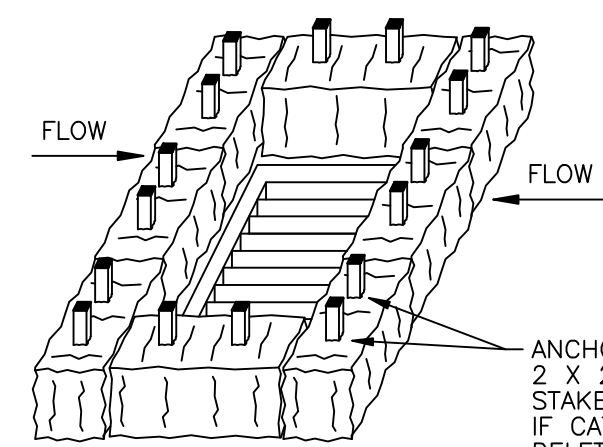
- 1) INSTALL CONSTRUCTION ENTRANCE AS SHOWN ON PLAN.
- 2) INSTALL EROSION AND SEDIMENT CONTROL.
- 3) STRIP TOPSOIL FROM THE ROADWAY AND STOCKPILE TOPSOIL ACCORDING TO THE PLAN. SEED STRIPPED AREAS THAT ARE NOT TO BE WORKED FOR 30 DAYS IMMEDIATELY WITH PERENNIAL RYEGRASS AT THE RATE OF 40 LBS./ACRE.
- 4) GRADE THE ROAD TO ATTAIN THE PLANNED SUBGRADE PROFILE AND GRADE SIDESLOPES TO PLAN.
- 5) APPLY TOPSOIL AND PERMANENT SEED MIX AND APPLY AND ANCHOR MULCH TO ALL FINISHED SLOPES.
- 6) INSTALL ALL DRAINAGE STARTING AT OUTFALLS AND PROCEEDING UPGRADIENT. THE CONTRACTOR WILL ENSURE THAT ADEQUATE PROTECTION IS PROVIDED AT THE OUTFALLS OF THE DRAINAGE SYSTEM SO THAT SEDIMENTS WILL BE PREVENTED FROM MIGRATING OFF THE SITE. NO WATER WILL BE ALLOWED TO ENTER THE DRAINAGE SYSTEM UNTIL THE OUTFALLS ARE PROTECTED. ALL DRAINAGE COMPONENTS WILL BE CHECKED ON A REGULAR BASIS AND CLEANED AS NEEDED TO MAINTAIN PROPER FUNCTION.
- 7) PLACE, GRADE AND COMPACT THE SUBGRADE AGGREGATE TO ESTABLISH THE ROADWAY BASE. TOPSOIL AND GRADE ALL SLOPES/DISTURBED AREAS WITHIN 2 FEET OF THE OUTSIDE OF THE PROPOSED CURBS.
- 8) LAY DOWN FIRST COURSE OF BITUMINOUS PAVEMENT.
- 9) INSTALL CURBING.
- 10) APPLY TOP COURSE OF BITUMINOUS PAVEMENT.
- 11) REMOVE SILT FENCE AFTER TOPSOIL STABILIZED.

DISPOSAL OF SEDIMENTS - ANY SEDIMENT REMOVED FROM ANY EROSION AND SEDIMENT CONTROL MEASURE AS PART OF SITE MAINTENANCE SHALL BE DISPOSED OF IN A MANNER CONSISTENT WITH THE INTENT OF THIS PLAN. NO SEDIMENT SHALL BE DEPOSITED IN ANY WETLAND AREA.

FIELD CHANGES - IF FIELD MODIFICATIONS OF PLANNED MEASURES ARE NEEDED TO PROPERLY ADDRESS ANY EROSION OR SEDIMENTATION SITUATION, SUCH CHANGES MAY BE MADE ONLY AFTER NOTIFYING TOWN STAFF. ADDITIONAL NON-STRUCTURAL MEASURES MAY BE ADDED WITHOUT PRIOR NOTIFICATION.

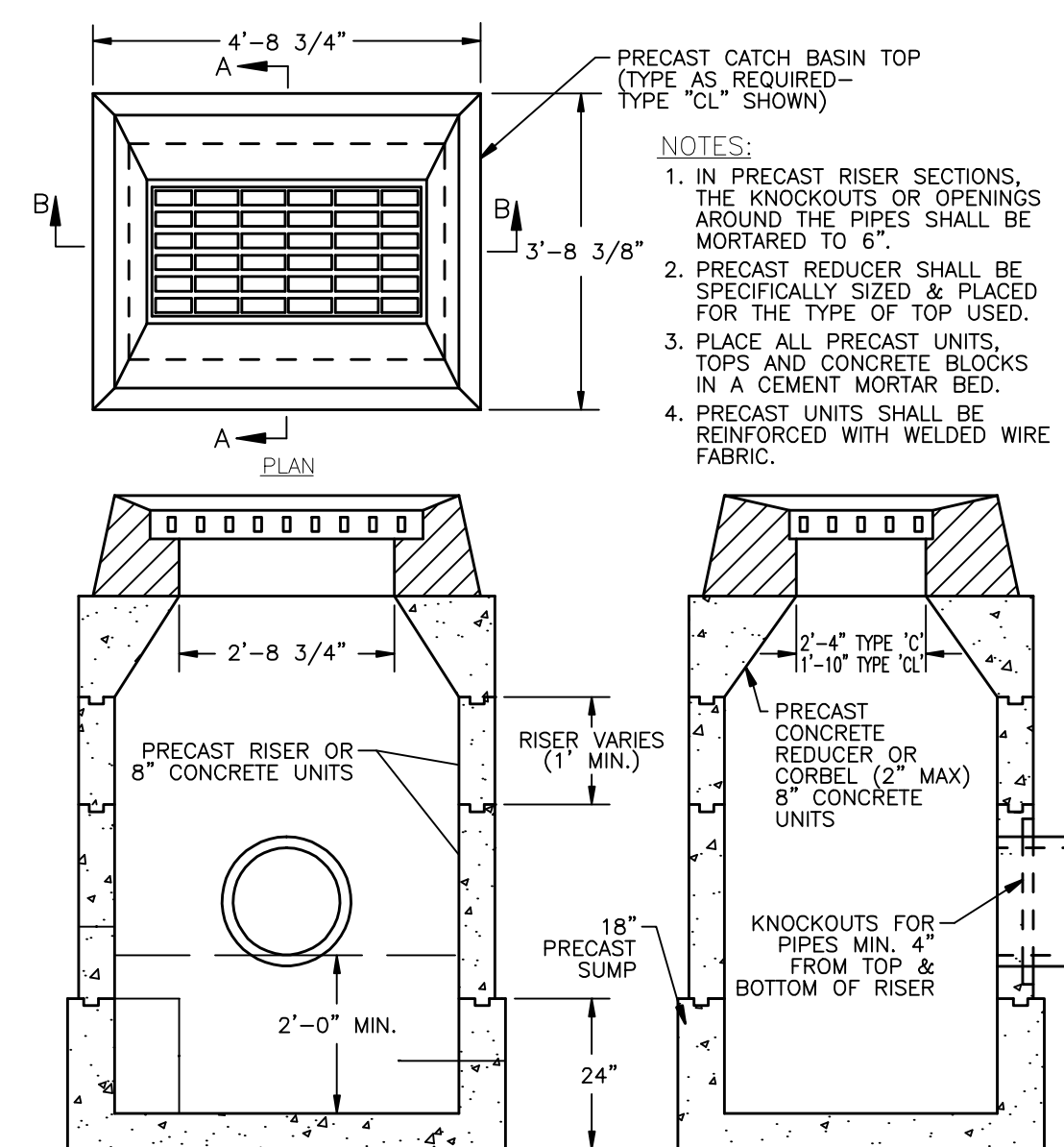
STORMWATER SYSTEM OPERATION AND MAINTENANCE NOTES:

- PROVIDE ANNUAL STREET SWEEPING, PREFERABLY AFTER FINAL SNOW MELT TO ALLEVIATE SEDIMENT BUILDUP IN CATCH BASIN SUMPS AND TO INSURE EFFICIENT TSS REMOVAL FROM STORMWATER
- REMOVE SEDIMENT FROM CATCH BASIN SUMPS WHEN SEDIMENT REACHES HALF THE DEPTH OF THE SUMP.
- INSPECT CATCH BASINS FOR TRASH AND DEBRIS BI-ANNUALLY. REMOVE ACCUMULATED SEDIMENT AND DEBRIS FROM PIPE INLETS AND OUTFALLS TO PREVENT CLOGGING.
- REMOVE ACCUMULATED TRASH AND LEAVES FROM CATCH BASIN GRATES TO INSURE ADEQUATE GRATE INFLOW CAPACITIES.



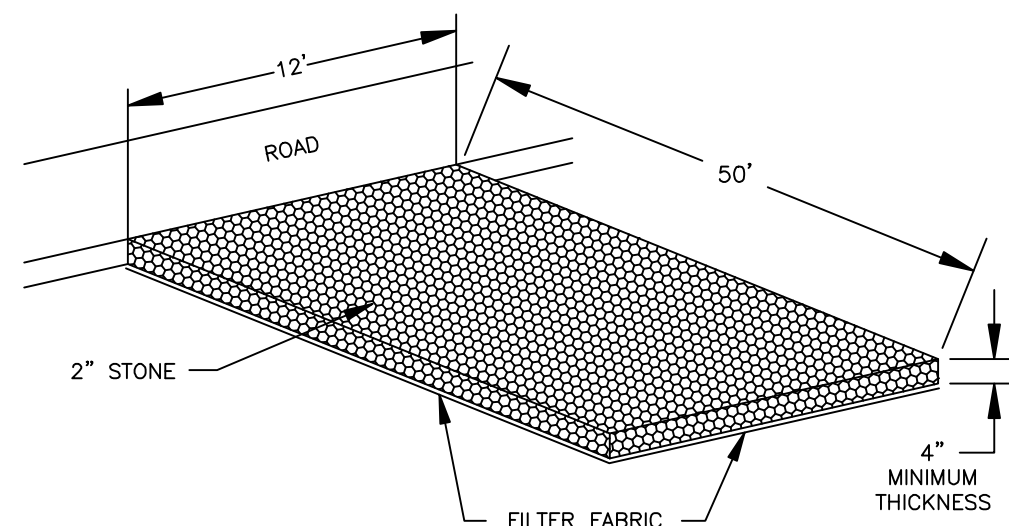
CATCH BASIN INLET PROTECTION

NOT TO SCALE



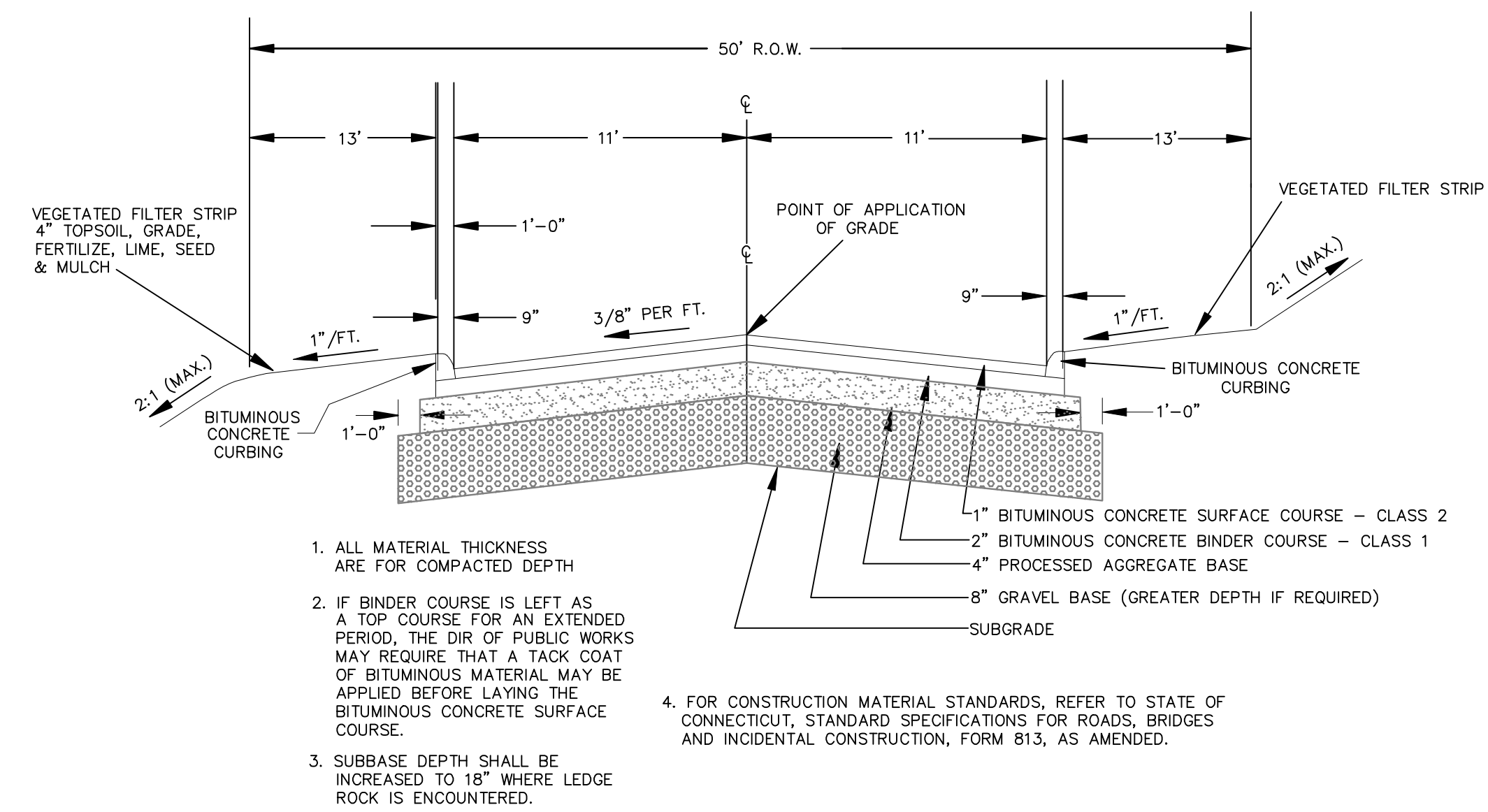
PRECAST CATCH BASIN

NOT TO SCALE



TEMPORARY CONSTRUCTION ENTRANCE

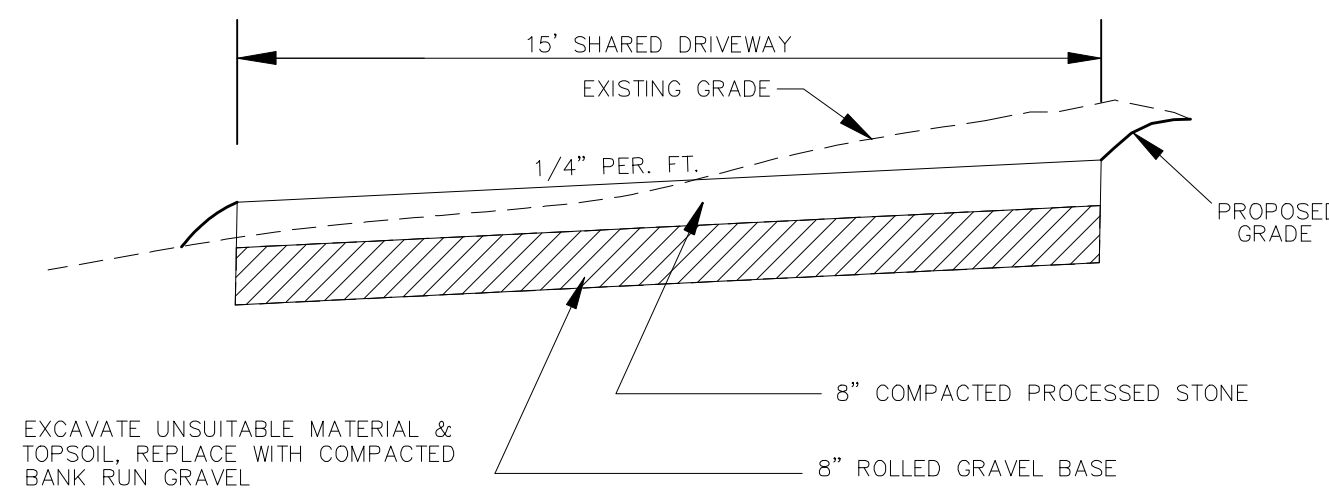
NOT TO SCALE



1. ALL MATERIAL THICKNESS ARE FOR COMPACTED DEPTH
2. IF BINDER COURSE IS LEFT AS A TOP COURSE FOR AN EXTENDED PERIOD, THE DIR. OF PUBLIC WORKS MAY REQUIRE THAT A TACK COAT OF BITUMINOUS MATERIAL MAY BE APPLIED BEFORE LAYING THE BITUMINOUS CONCRETE SURFACE COURSE.
3. SUBBASE DEPTH SHALL BE INCREASED TO 18\"/>

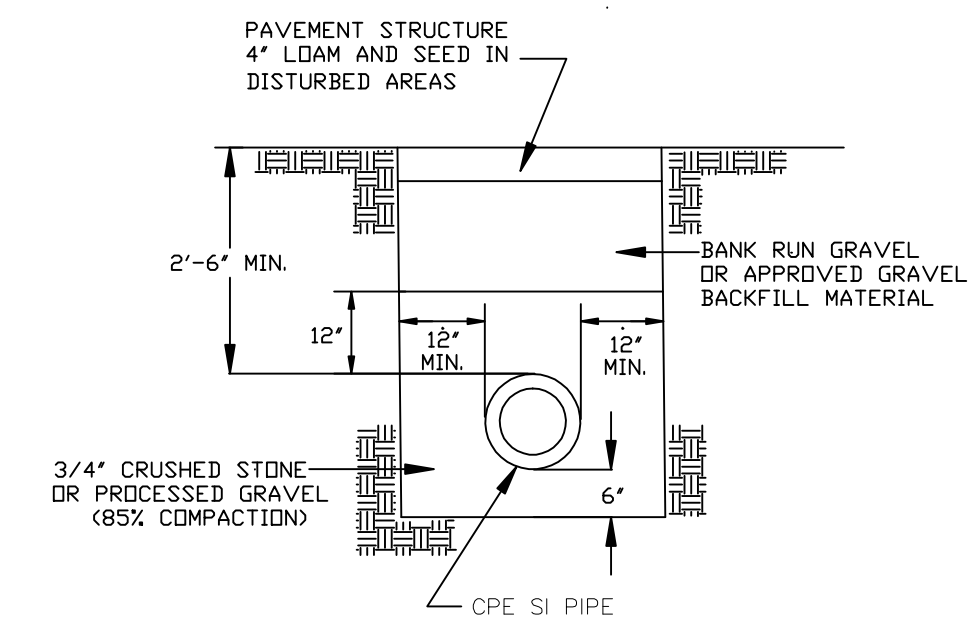
AVERY COURT CROSS SECTION

(N.T.S.)



TYPICAL COMMON DRIVEWAY CROSS-SECTION

NOT TO SCALE



- NOTE:**
1. IF PIPE IS PLACED IN DR ON LEDGE, ALL LEDGE WITHIN 12\"/>

DRAINAGE PIPE TRENCH

NOT TO SCALE

APPROVED BY THE LEDYARD PLANNING AND ZONING COMMISSION AS TO THE COMPLIANCE WITH THE REGULATIONS GOVERNING THE SUBDIVISION OF LAND. ALL IMPROVEMENTS SHALL BE COMPLETED BY _____ DATE _____

CHAIRMAN OR SECRETARY _____ DATE _____

EROSION AND SEDIMENT CONTROL PLAN CERTIFIED BY VOTE OF THE LEDYARD PLANNING AND ZONING COMMISSION ON _____ DATE _____

LOT NUMBERS ASSIGNED BY THE ASSESSOR _____ DATE _____

ASSESSOR _____ DATE _____

IWVC APPLICATION# _____

APPROVED, _____

NO PERMIT NECESSARY. (NOT WITHIN A REGULATED AREA)

NOT APPLICABLE AT THIS TIME. (WITHIN A REGULATED AREA; NO REGULATED ACTIVITY PROPOSED AT THIS TIME.)

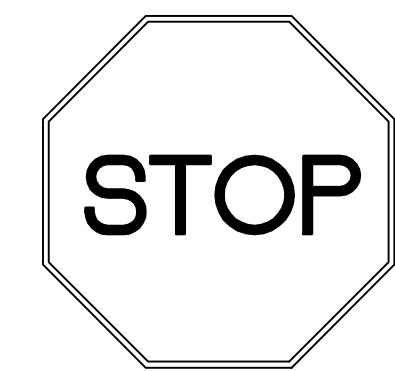
WETLANDS OFFICER _____ DATE _____

APPROVED BY THE DIRECTOR OF PUBLIC WORKS OR THE TOWN ENGINEER FOR PUBLIC WAY LAYOUT. _____ DATE _____

PUBLIC WORKS DIRECTOR/TOWN ENGINEER _____ DATE _____

EROSION AND SEDIMENT CONTROL PLAN CERTIFIED BY VOTE OF THE LEDYARD PLANNING AND ZONING COMMISSION

CHAIRMAN OR SECRETARY OF THE LEDYARD PLANNING AND ZONING COMMISSION _____ DATE _____



STOP SIGN

NOTE: SIGN TO BE INSTALLED IN ACCORDANCE WITH STATE OF CONNECTICUT D.O.T. STANDARDS

PLAN SHOWING
 EROSION AND SEDIMENT CONTROL
 NARRATIVE AND DETAILS
 AND
 CONSTRUCTION DETAILS
 RESUBDIVISION
 PROPERTY OF
 AVERY BROOK HOMES LLC
 96, 98 AND 100
 STODDARDS WHARF ROAD
 A.K.A.
 CONNECTICUT ROUTE 214
 LEDYARD, CONNECTICUT

MARCH 2024
 REVISED: APRIL 24, 2024

THIS DRAWING IS THE PROPERTY OF THE LAND SURVEYOR. THIS PLAN AND REPRODUCTIONS, ADDITIONS OR REVISIONS OF THIS PLAN ARE NOT VALID WITHOUT THE EMBOSSED SEAL AND SIGNATURE OF THE LAND SURVEYOR WHO PREPARED THIS PLAN. JOB#22-00718LOT.DWG FBK#327

DIETER & GARDNER
 LAND SURVEYORS • PLANNERS
 P.O. BOX 335
 1641 CONNECTICUT ROUTE 12
 GALES FERRY, CT. 06335
 (860) 464-7455
 EMAIL: DIETER.GARDNER@YAHOO.COM