

Floor Plan
Scale: 1/8" = 1'-0"

PROGRESS 03-29-2023

REV 07-13-2023 UTILITY ROOM
PROGRESS 06-10-2023
PROGRESS 03-23-2023
PROGRESS 03-21-2023
PRELIMINARY 01-23-2023

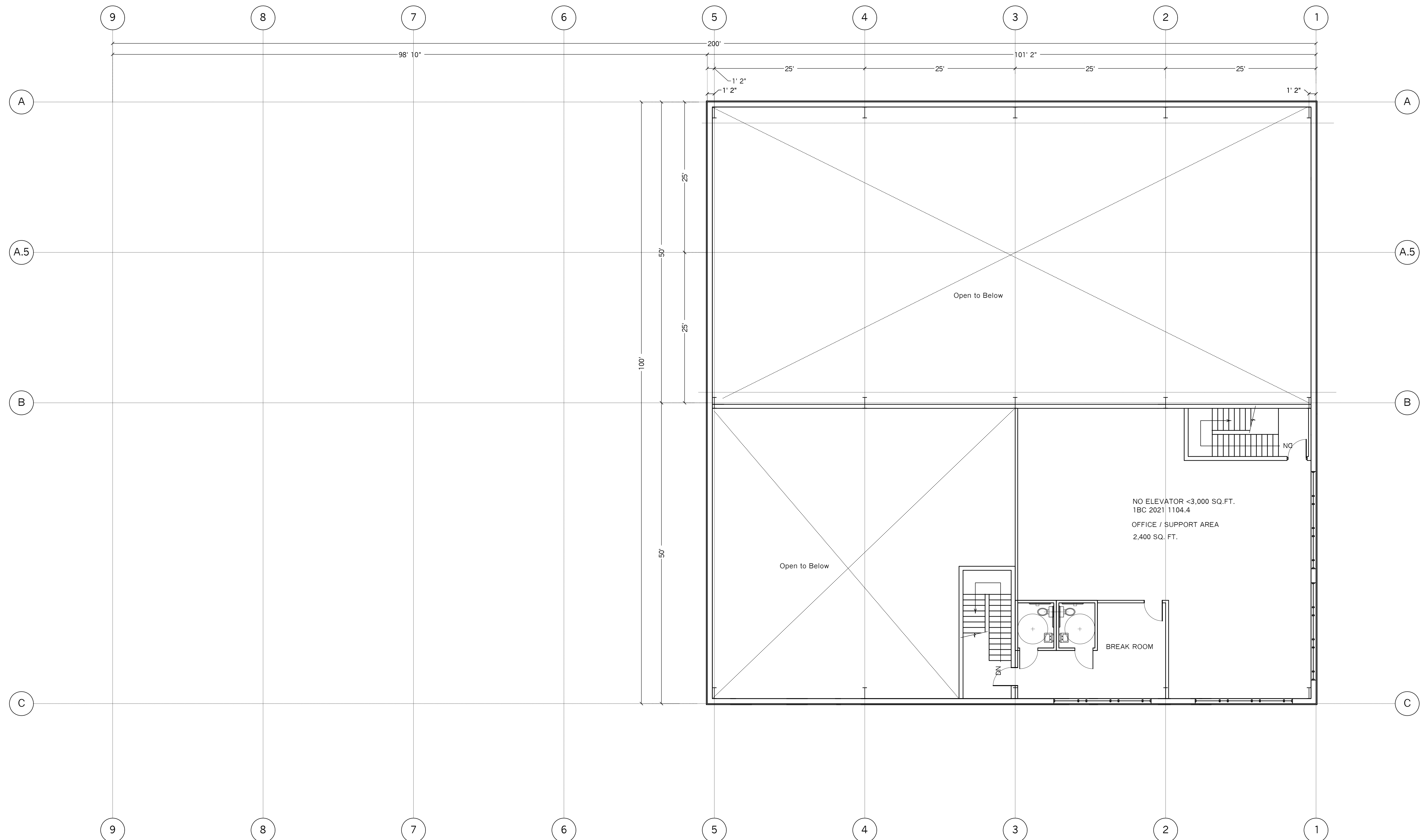
Revisions:



pando
associates
architects, inc.
laurel oak farm - 481 york street
canton, ma 02021-2423
tel: 781-828-8161
fax: 781-828-3902
www.pandoassociates.com
© 2023 PANDO ASSOCIATES ARCHITECTS, INC. NO PORTION OF
THIS DRAWING MAY BE COPIED OR REPRODUCED WITHOUT EXPRESS
WRITTEN PERMISSION OF PANDO ASSOCIATES ARCHITECTS, INC.

Floor Plan Phase 1
Equipment Support Facility
Gales Ferry Intermodal, LLC
Ledyard, CT 06335

Checked By: GLP
Drawn By: MM
Scale: as noted
Date: ...
Job No: 23105
Dwg. No: SK-1



Floor Plan
Scale : 1/8" = 1'-0"

PROGRESS 06-10-2023
 PROGRESS 03-23-2023
 PROGRESS 03-21-2023
 PRELIMINARY 01-23-2023

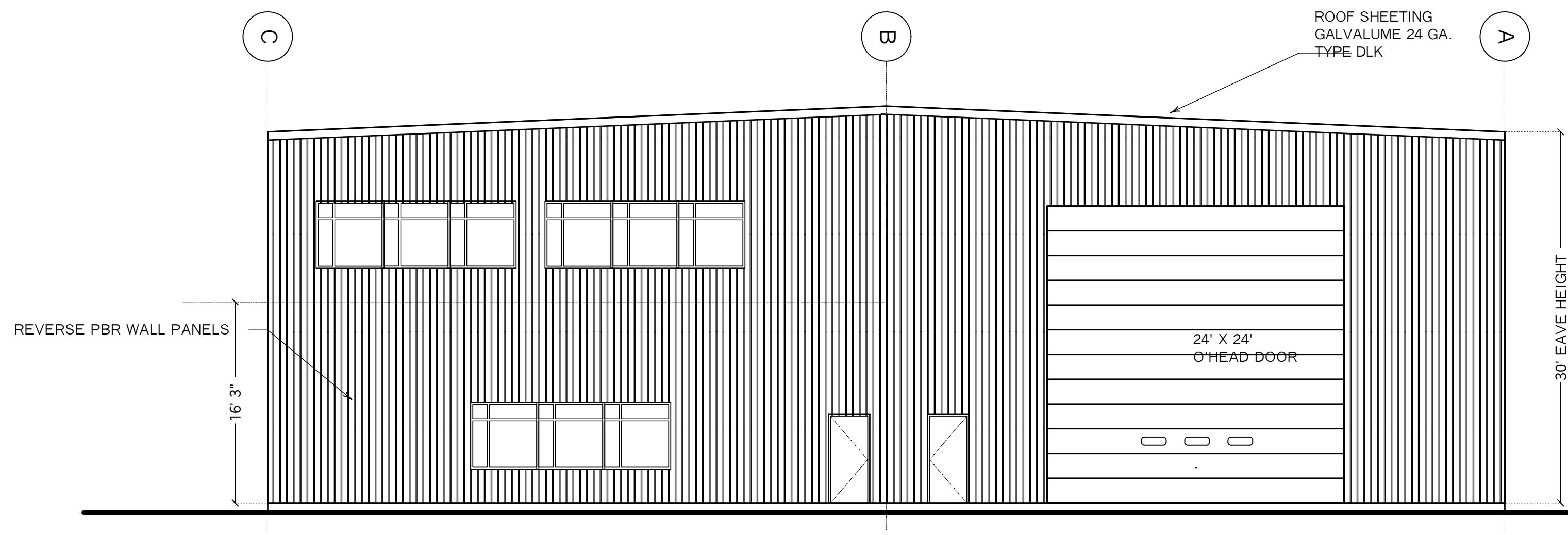
Revisions :



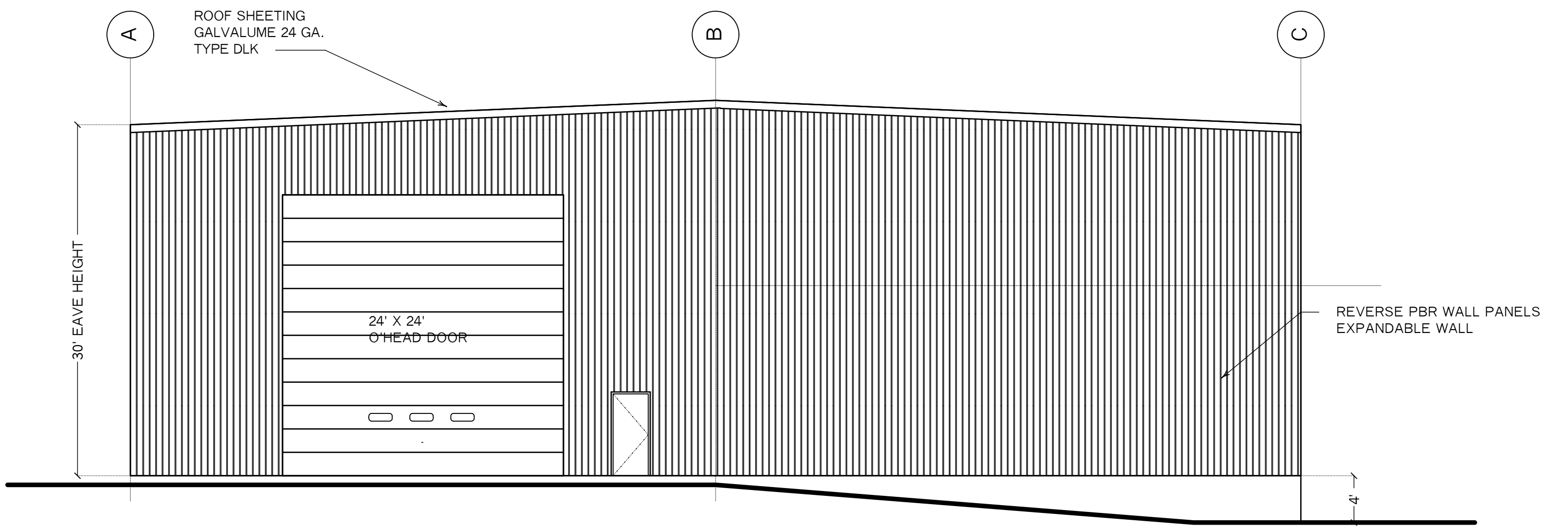
pando
 associates
 architects, inc.
 laurel oak farm - 481 york street
 canton, ma 02021-2423
 tel: 781-828-8161
 fax: 781-828-3902
 www.pandoassociates.com
 © 2023 PANDO ASSOCIATES ARCHITECTS, INC. NO PORTION OF
 THIS DRAWING MAY BE COPIED OR REPRODUCED WITHOUT EXPRESS
 WRITTEN PERMISSION OF PANDO ASSOCIATES ARCHITECTS, INC.

2nd Floor Plan Phase 1
Equipment Support Facility
 Gales Ferry Intermodal, LLC
 Ledyard, CT 06335

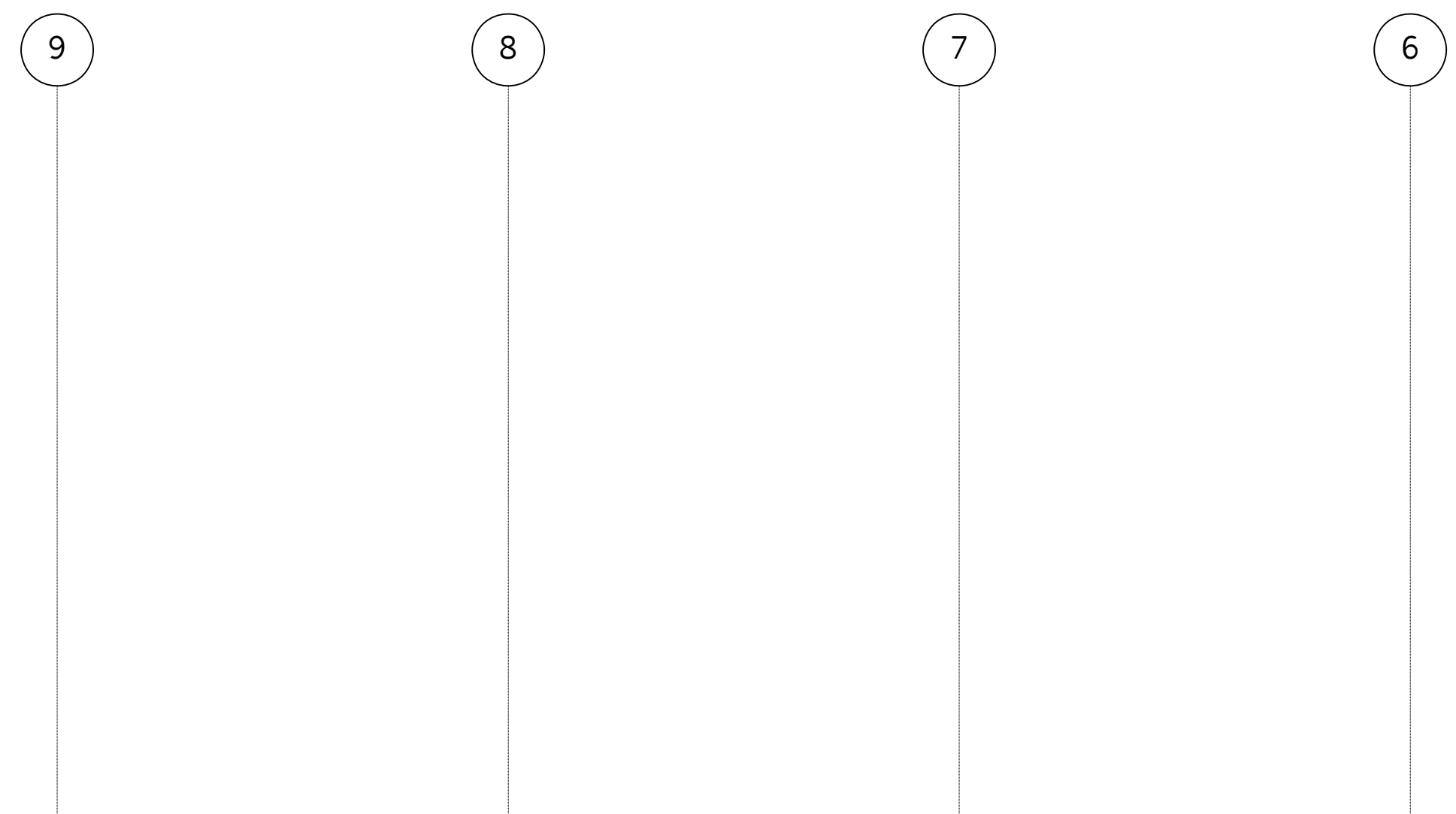
Checked By : GLP
 Drawn By : MM
 Scale : as noted
 Date : ---
 Job No : 23105
 Dwg. No.
SK - 2



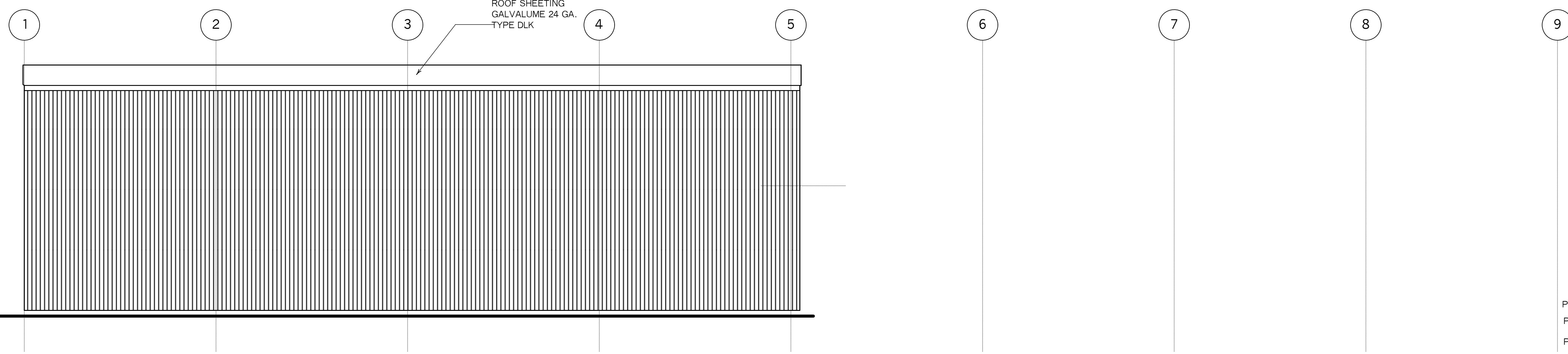
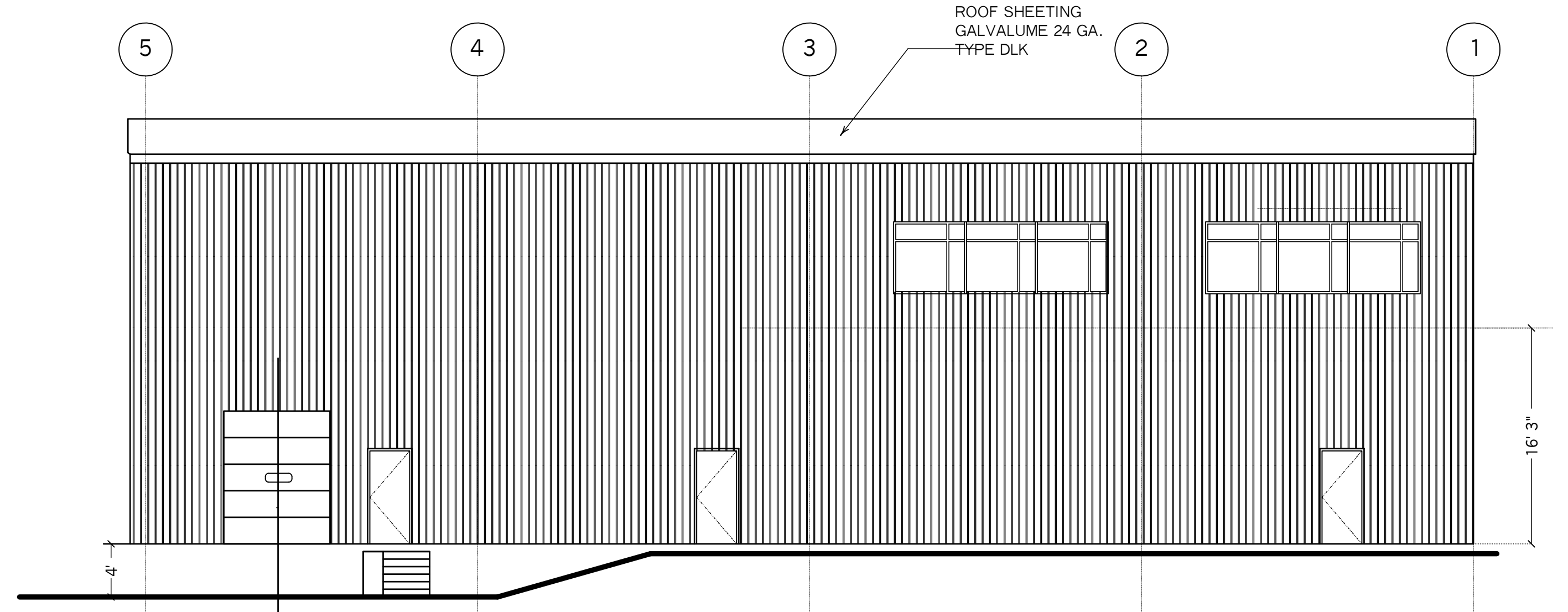
East Elevation
Scale : 1/8" = 1'-0"



West Elevation
Scale : 1/8" = 1'-0"



South Elevation
Scale : 1/8" = 1'-0"



North Elevation
Scale : 1/8" = 1'-0"

PROGRESS 03-23-2023
PROGRESS 03-21-2023
PRELIMINARY 01-23-2023

Revisions :



pando
associates
architects, inc.
www.pandoassociates.com
laurel oak farm - 481 york street
canton, ma 02021-2423
tel: 781-828-8161
fax: 781-828-3902
© 2023 PANDO ASSOCIATES ARCHITECTS, INC. NO PORTION OF
THIS DRAWING MAY BE COPIED OR REPRODUCED WITHOUT EXPRESS
WRITTEN PERMISSION OF PANDO ASSOCIATES ARCHITECTS, INC.

Ext. Elevations Phase 1
Equipment Support Facility
Gales Ferry Intermodal, LLC
Ledyard, CT 06335

Checked By : GLP
Drawn By : MM
Scale : as noted
Date : ...
Job No : 23105
Dwg. No. SK - 3