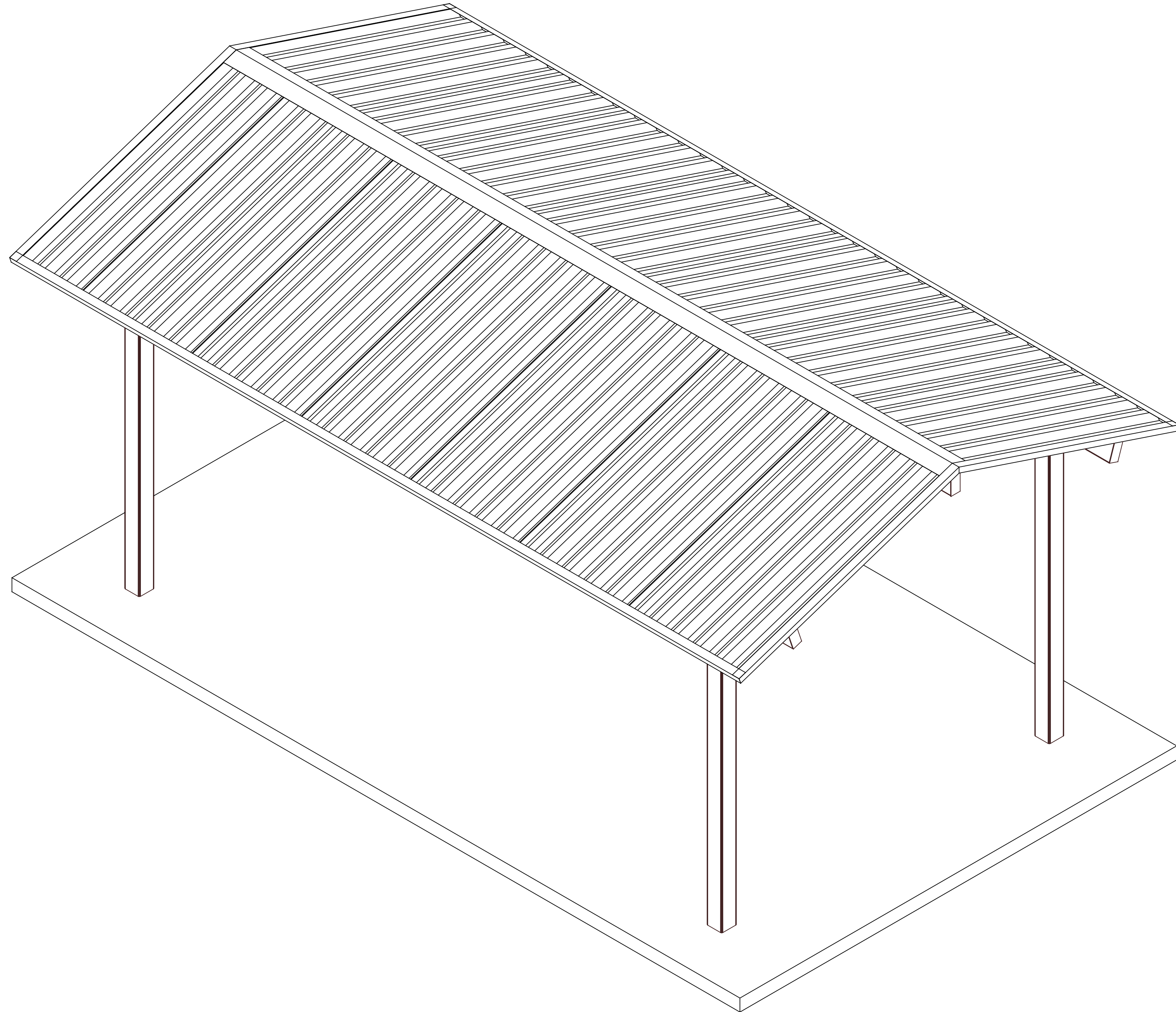
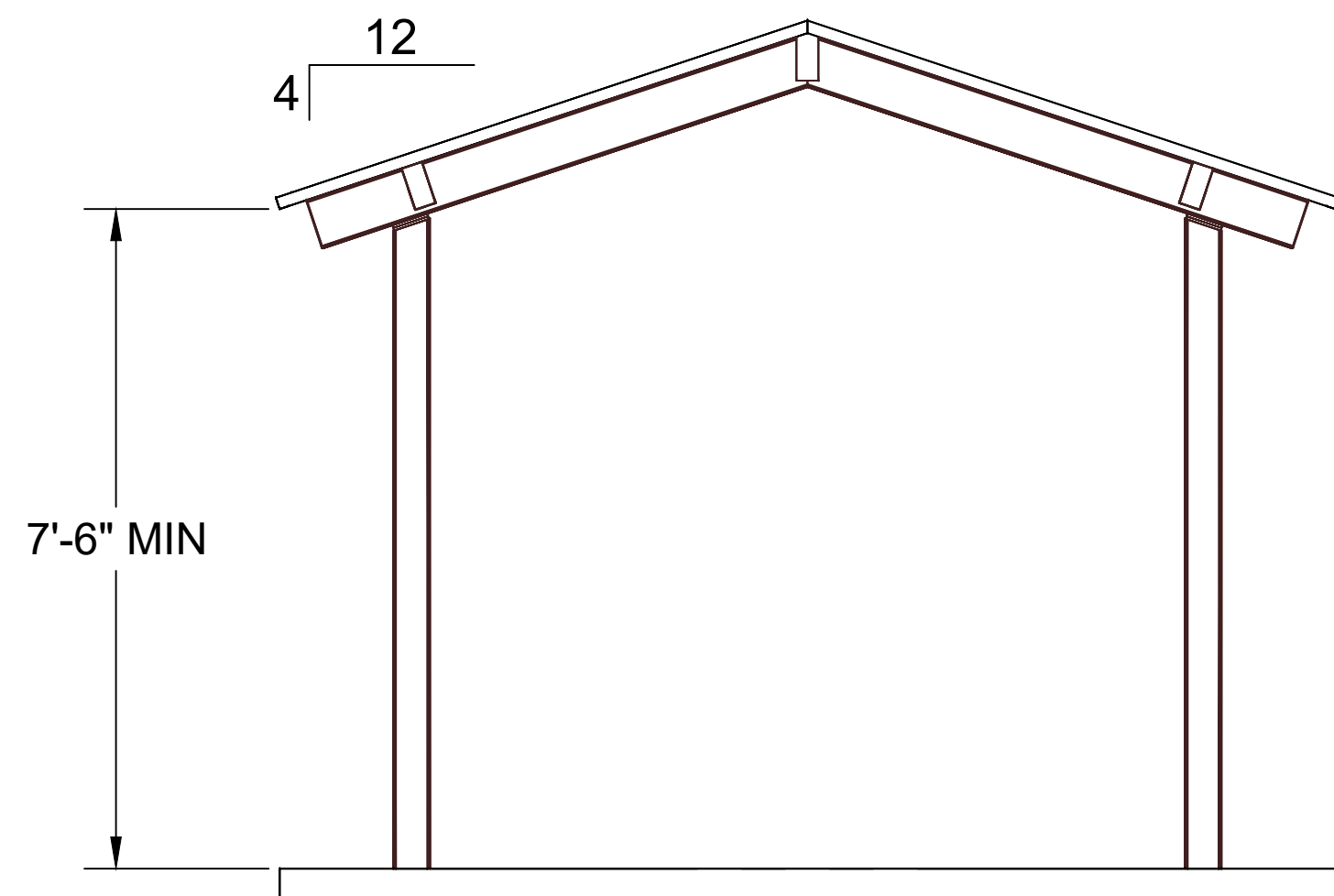
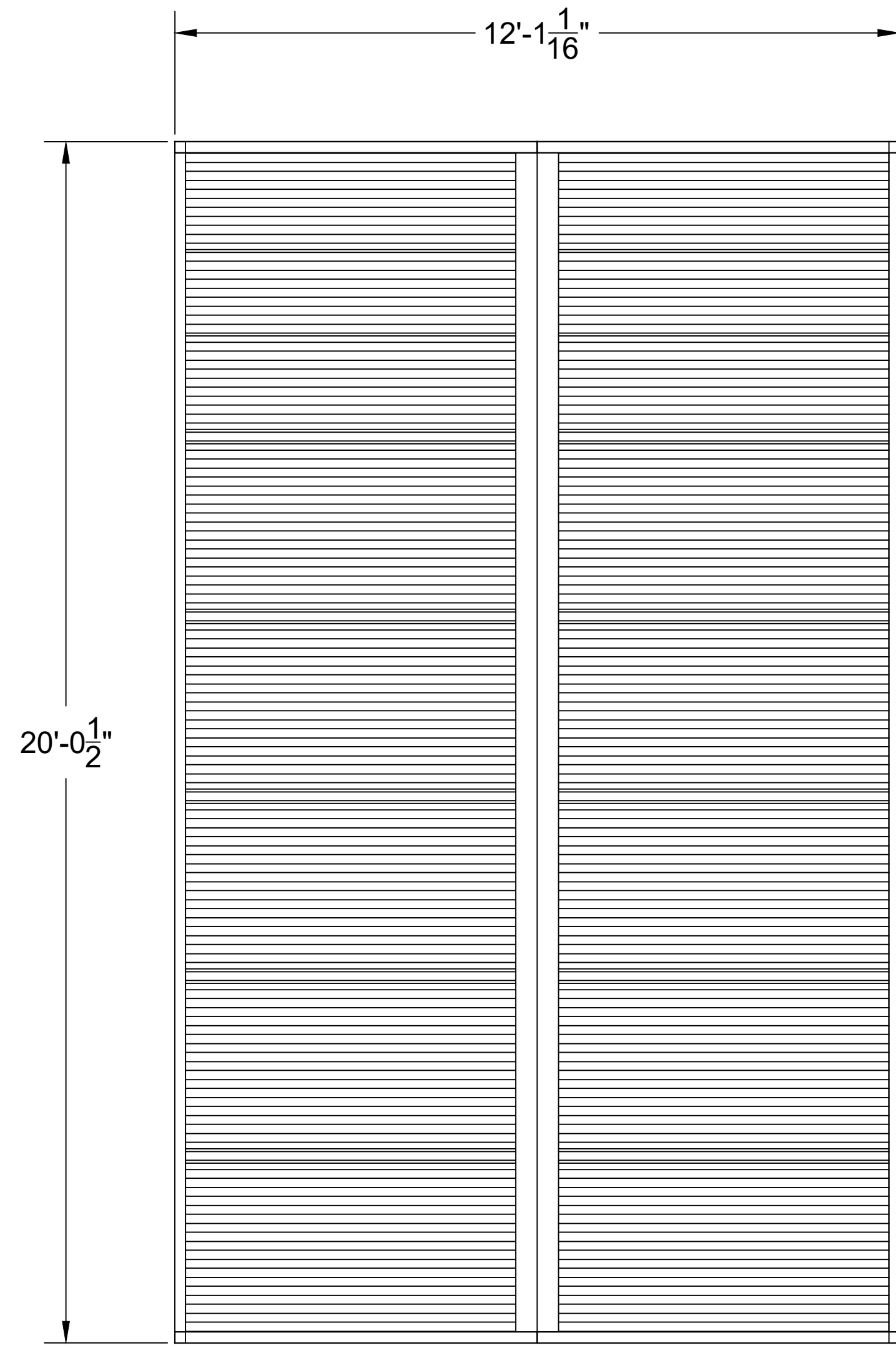


PRELIMINARY DRAWING – NOT FOR CONSTRUCTION

THIS PRINT IS THE PROPERTY OF RCP SHELTERS AND IS NOT TO BE USED, COPIED, OR REPRODUCED WITHOUT THEIR EXPRESSED WRITTEN PERMISSION.



TS-G1220-04

NUMBER OF PURLINS MAY VARY DEPENDING UPON DESIGN LOADS. SIZES AND SPACING OF PURLINS TO BE DETERMINED DURING FINAL DESIGN.

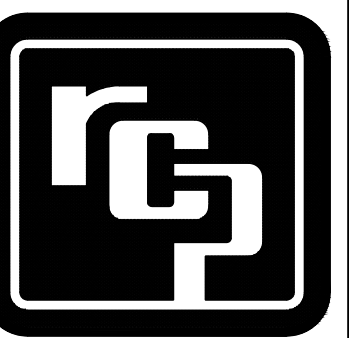
RCP SHELTERS, INC.

2100 SE RAYS WAY STUART, FL 34994 PO BOX 25 STUART, FL 34995-0025

- SHELTERS ■ PAVILIONS ■ CONCESSIONS ■ KIOSKS ■ FABRIC SHADE
- RESTROOMS ■ BANDSHELLS ■ MINI-SHELTERS ■ DUGOUTS ■ FABRIC SAIL

Phone 800-525-0207 Fax 772-288-0207

www.rcpselters.com Email info@rcpselters.com



PROJ. NO.:

DRAWN:

CHKD:

REV 1:

REV 2:

REV 3:

REV 4:

REV 5:

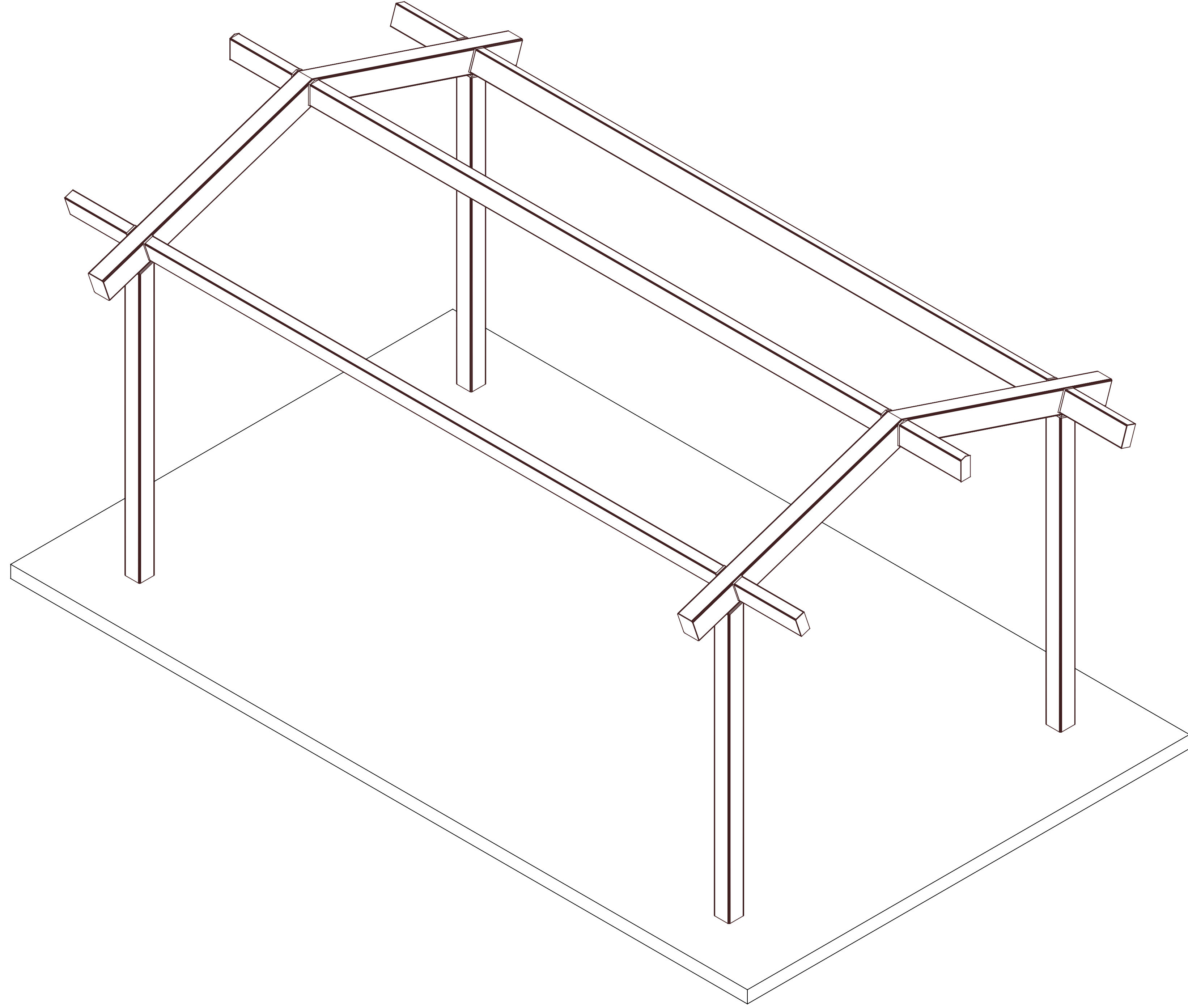
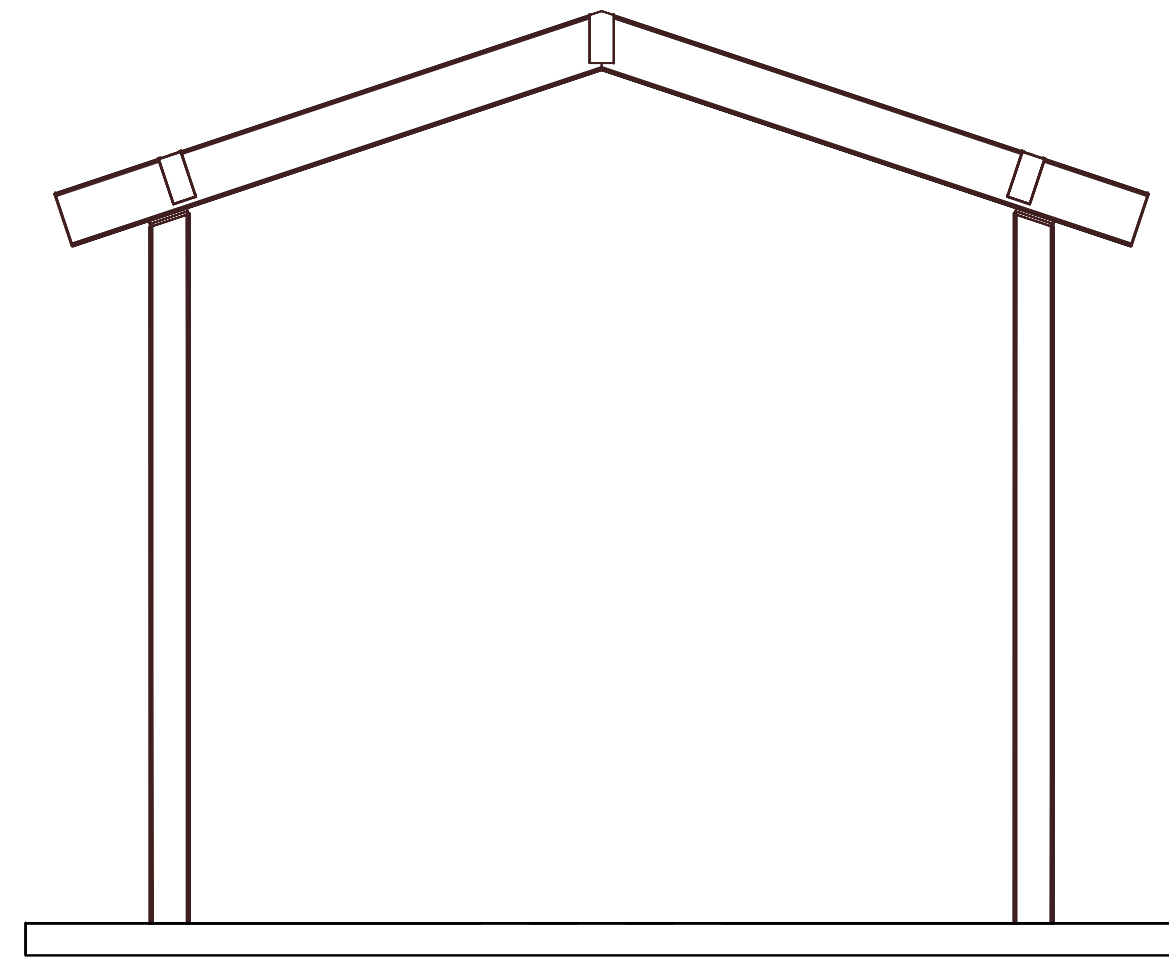
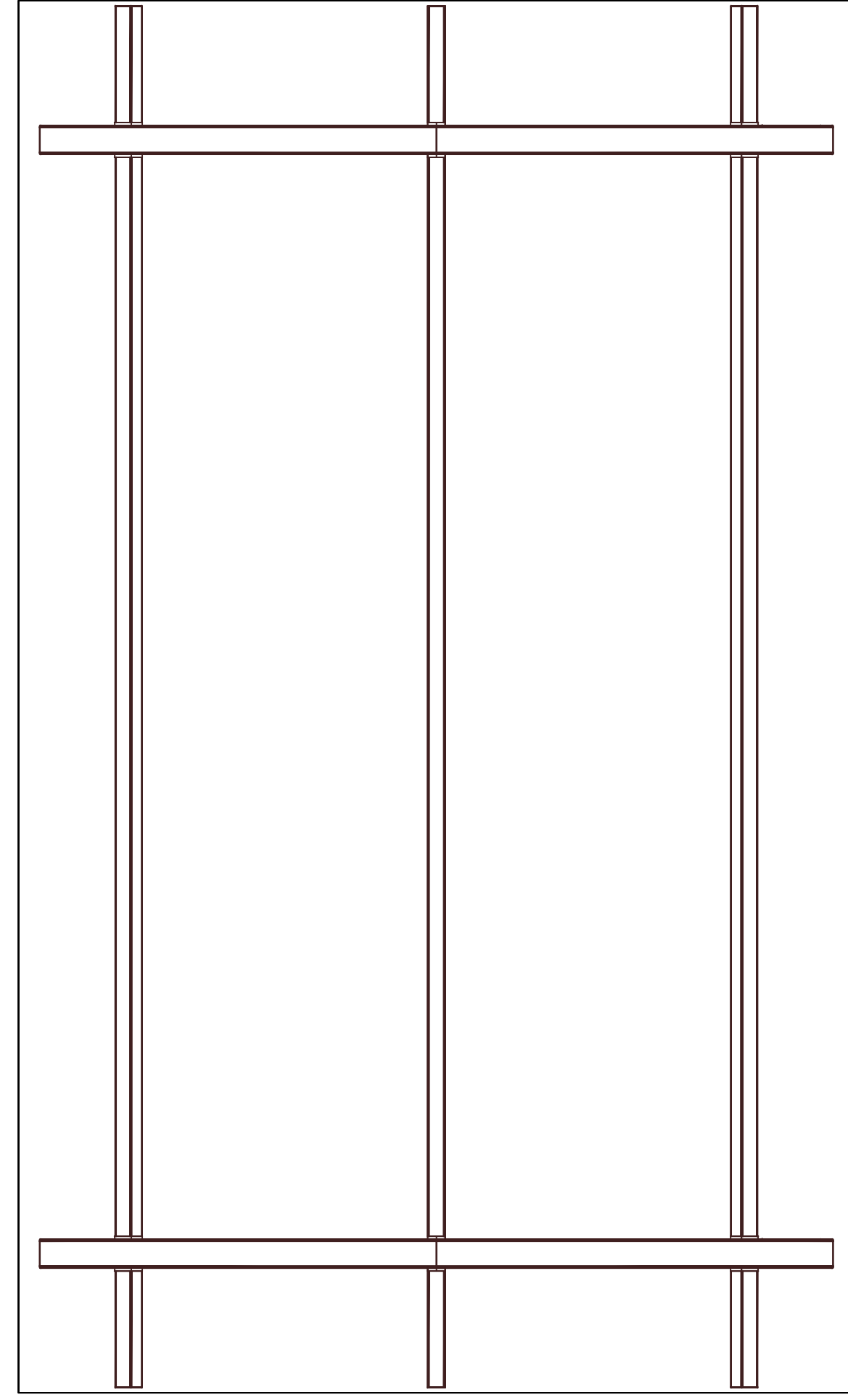
CAD NO.:

EEC JOB NO.:

SHEET NO.:

PRELIMINARY DRAWING – NOT FOR CONSTRUCTION

THIS PRINT IS THE PROPERTY OF RCP SHELTERS AND IS NOT TO BE USED, COPIED, OR REPRODUCED WITHOUT THEIR EXPRESSED WRITTEN PERMISSION.



TS-G1220-04

NUMBER OF PURLINS MAY VARY DEPENDING UPON DESIGN LOADS. SIZES AND SPACING OF PURLINS TO BE DETERMINED DURING FINAL DESIGN.

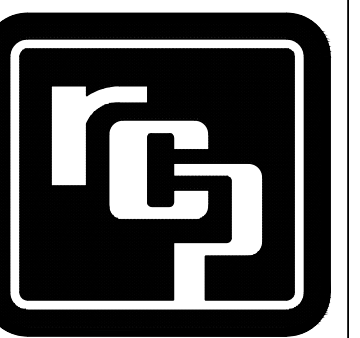
RCP SHELTERS, INC.

2100 SE RAYS WAY STUART, FL 34994 PO BOX 25 STUART, FL 34985-0025

- SHELTERS ■ PAVILIONS ■ CONCESSIONS ■ KIOSKS ■ FABRIC SHADE
- RESTROOMS ■ BANDSHELLS ■ MINI-SHELTERS ■ DUGOUTS ■ FABRIC SAIL

Phone 800-525-0207 Fax 772-288-0207

www.rcpselters.com Email info@rcpselters.com



PROJ. NO.:

DRAWN:

CHKD:

REV 1:

REV 2:

REV 3:

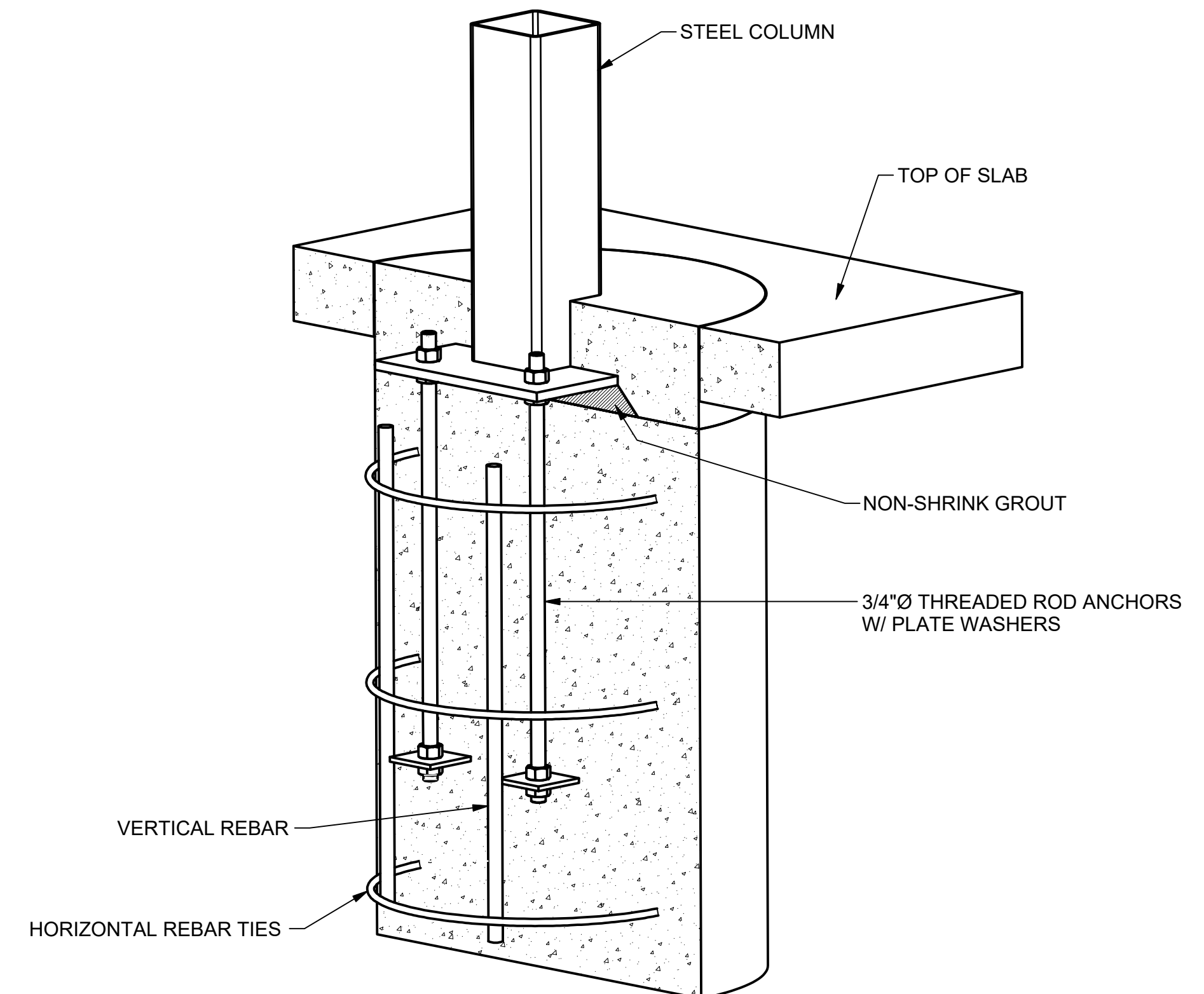
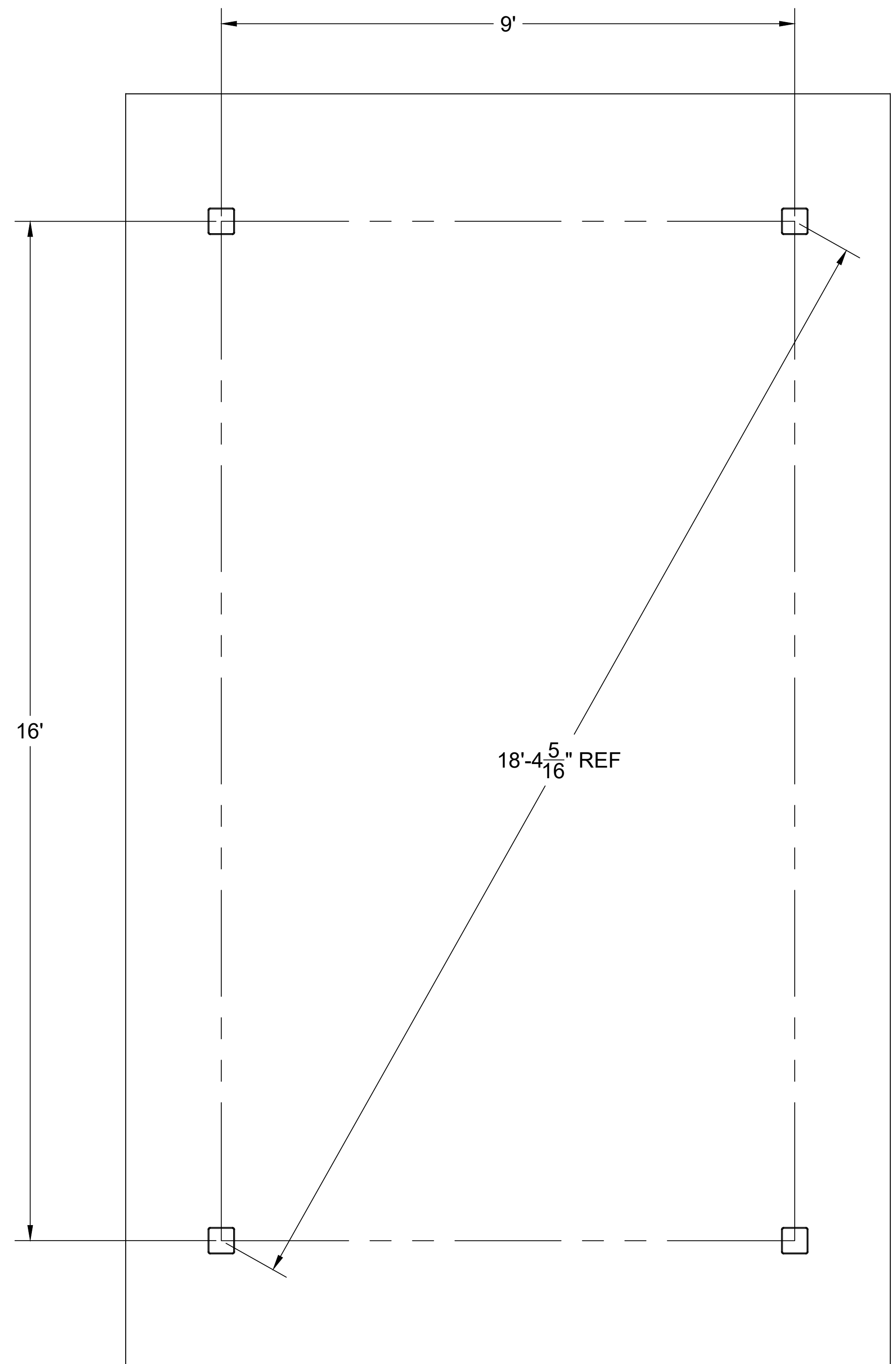
REV 4:

REV 5:

CAD NO.:

ECC JOB NO.:

SHEET NO.:



**STEEL COLUMN PIER DETAIL**

TYPICAL PIER DIAMETER IS BETWEEN 2'-0" AND 3'-0"±  
TYPICAL PIER DEPTH IS BETWEEN 3'-6" AND 5'-6"±

ACTUAL DESIGN WILL VARY DUE TO BUILDING CODE REQUIREMENTS AND MAY BE SUBSTANTIALLY LARGER.

TS-G1220-04

NUMBER OF PURLINS MAY VARY DEPENDING UPON DESIGN LOADS. SIZES AND SPACING OF PURLINS TO BE DETERMINED DURING FINAL DESIGN.

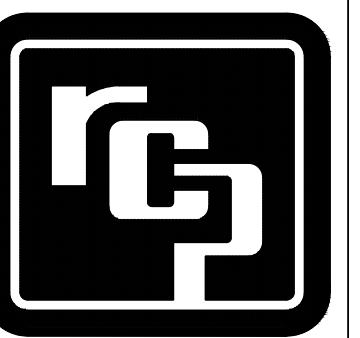
RCP SHELTERS, INC.

2100 SE RAYS WAY STUART, FL 34994 PO BOX 25 STUART, FL 34985-0025

- SHELTERS ■ PAVILIONS ■ CONCESSIONS ■ KIOSKS ■ FABRIC SHADE
- RESTROOMS ■ BANDSHELLS ■ MINI-SHELTERS ■ DUGOUTS ■ FABRIC SAIL

Phone 800-525-0207 Fax 772-288-0207

www.rcpselters.com Email info@rcpselters.com



PROJ. NO.:

DRAWN:

CHKD:

REV 1:

REV 2:

REV 3:

REV 4:

REV 5:

CAD NO.:

ECC JOB NO.:

SHEET NO.:

PRELIMINARY DRAWING – NOT FOR CONSTRUCTION



THIS PRINT IS THE PROPERTY OF RCP SHELTERS AND IS NOT TO BE USED, COPIED, OR REPRODUCED WITHOUT THEIR EXPRESSED WRITTEN PERMISSION.

TS-G1220-04

NUMBER OF PURLINS MAY VARY DEPENDING UPON DESIGN LOADS. SIZES AND SPACING OF PURLINS TO BE DETERMINED DURING FINAL DESIGN.

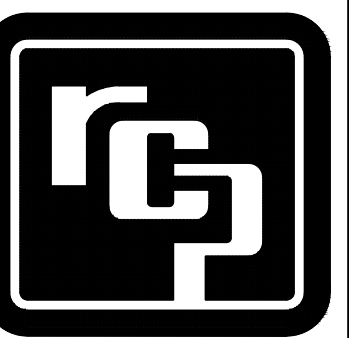
RCP SHELTERS, INC.

2100 SE RAYS WAY STUART, FL 34994 PO BOX 25 STUART, FL 34985-0025

- SHELTERS ■ PAVILIONS ■ CONCESSIONS ■ KIOSKS ■ FABRIC SHADE
- RESTROOMS ■ BANDSHELLS ■ MINI-SHELTERS ■ DUGOUTS ■ FABRIC SAIL

Phone 800-525-0207 Fax 772-288-0207

www.rcpselters.com Email info@rcpselters.com



PROJ. NO.:

DRAWN:

CHKD:

REV 1:

REV 2:

REV 3:

REV 4:

REV 5:

CAD NO.:

ECC JOB NO.:

SHEET NO.: